

# Liberty

Soffione Liberty in ottone con braccio doccia 1/2"MM

Liberty brass shower head with shower arm 1/2"MM

Liberty Kopfbrause aus Messing mit Wandarm 1/2" a.G./a.G.

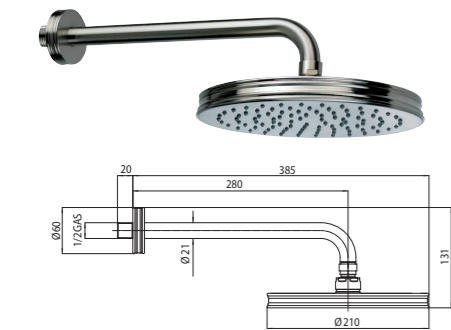
Pomme de douche Liberty en laiton avec bras mural 1/2"MM

Rociador Liberty en latón con brazo mural 1/2"MM

Душевая лейка Liberty с держателем 1/2"MM



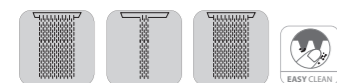
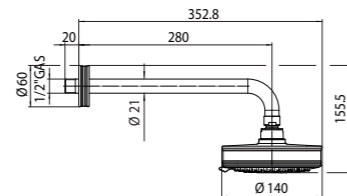
## H27... - LIBERTY-GOM Ø 210



Packaging Box: 6 pz/pcs  
40x40x70

| Codice/Code    | Misura/Size | Braccio/Arm   | Finitura/Finish                 | Portata acqua<br>Water flow | Box Euro      |
|----------------|-------------|---------------|---------------------------------|-----------------------------|---------------|
| <b>H27740G</b> | Ø 210 mm    | 300 mm - Ø 21 | 030 cromo/chrome                | min 9 L/min                 | <b>265,00</b> |
|                | Ø 210 mm    | 300 mm - Ø 21 | 094 nichel sp./satin nickel     |                             | <b>513,00</b> |
|                | Ø 210 mm    | 300 mm - Ø 21 | 022 ottone antico/antique brass |                             | <b>513,00</b> |
|                | Ø 210 mm    | 300 mm - Ø 21 | 021 oro/gold                    |                             | <b>683,00</b> |
| <b>H27740H</b> | Ø 210 mm    | 350 mm - Ø 21 | 030 cromo/chrome                | min 9 L/min                 | <b>271,50</b> |
|                | Ø 210 mm    | 350 mm - Ø 21 | 094 nichel sp./satin nickel     |                             | <b>522,00</b> |
|                | Ø 210 mm    | 350 mm - Ø 21 | 022 ottone antico/antique brass |                             | <b>522,00</b> |
|                | Ø 210 mm    | 350 mm - Ø 21 | 021 oro/gold                    |                             | <b>695,00</b> |

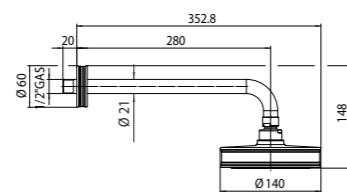
## H27742 - LIBERTY/3 Ø 140



Packaging Box: 10 pz/pcs  
35x35x50

| Codice/Code    | Misura/Size | Braccio/Arm   | Finitura/Finish                 | Portata acqua<br>Water flow | Box Euro      |
|----------------|-------------|---------------|---------------------------------|-----------------------------|---------------|
| <b>H27742G</b> | Ø 140 mm    | 300 mm - Ø 21 | 030 cromo/chrome                | min 9 L/min                 | <b>146,80</b> |
|                | Ø 140 mm    | 300 mm - Ø 21 | 094 nichel sp./satin nickel     |                             | <b>251,00</b> |
|                | Ø 140 mm    | 300 mm - Ø 21 | 022 ottone antico/antique brass |                             | <b>251,00</b> |
|                | Ø 140 mm    | 300 mm - Ø 21 | 021 oro/gold                    |                             | <b>271,00</b> |

## H27743 - LIBERTY/1 Ø 140



Packaging Box: 10 pz/pcs  
35x35x50

| Codice/Code    | Misura/Size | Braccio/Arm   | Finitura/Finish                 | Portata acqua<br>Water flow | Box Euro      |
|----------------|-------------|---------------|---------------------------------|-----------------------------|---------------|
| <b>H27743G</b> | Ø 140 mm    | 300 mm - Ø 21 | 030 cromo/chrome                | min 7 L/min                 | <b>137,90</b> |
|                | Ø 140 mm    | 300 mm - Ø 21 | 094 nichel sp./satin nickel     |                             | <b>241,50</b> |
|                | Ø 140 mm    | 300 mm - Ø 21 | 022 ottone antico/antique brass |                             | <b>241,50</b> |
|                | Ø 140 mm    | 300 mm - Ø 21 | 021 oro/gold                    |                             | <b>261,50</b> |

# Retrò

Soffione Retrò in ottone con braccio doccia 1/2"MM

Retrò brass shower head with shower arm 1/2"MM

Retrò Kopfbrause aus Messing mit Wandarm 1/2" a.G./a.G.

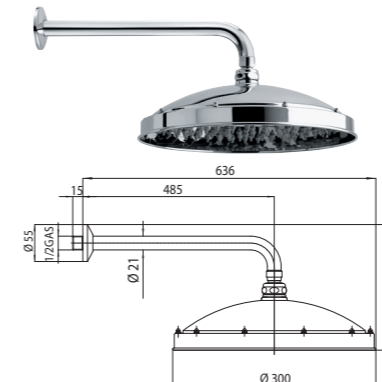
Pomme de douche Retrò en laiton avec bras mural 1/2"MM

Rociador Retrò en latón con brazo mural 1/2"MM

Душевая лейка Retrò с держателем 1/2"MM



## H18703J - RETRÒ ANTIKAL Ø 300

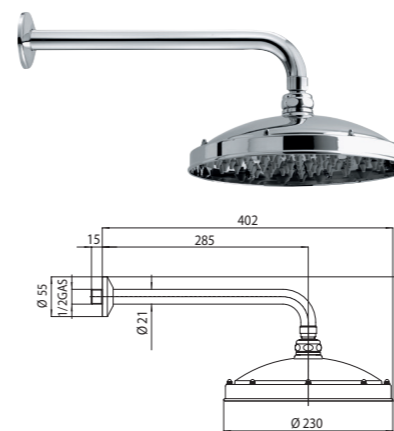


| Codice/Code    | Misura/Size | Braccio/Arm   | Finitura/Finish             | Portata acqua<br>Water flow | Box Euro      |
|----------------|-------------|---------------|-----------------------------|-----------------------------|---------------|
| <b>H18703J</b> | Ø 300 mm    | 500 mm - Ø 21 | 030 cromo/chrome            | min 10 L/min                | <b>449,00</b> |
|                | Ø 300 mm    | 500 mm - Ø 21 | 047 rame ant./ant.copper    |                             | <b>822,00</b> |
|                | Ø 300 mm    | 500 mm - Ø 21 | 022 ottone ant./ant.brass   |                             | <b>822,00</b> |
|                | Ø 300 mm    | 500 mm - Ø 21 | 094 nichel sp./satin nickel |                             | <b>822,00</b> |
|                | Ø 300 mm    | 500 mm - Ø 21 | 021 oro/gold                |                             | <b>997,00</b> |



Packaging Box: 5 pz/pcs  
40x40x70

## H18... - RETRÒ ANTIKAL Ø 230

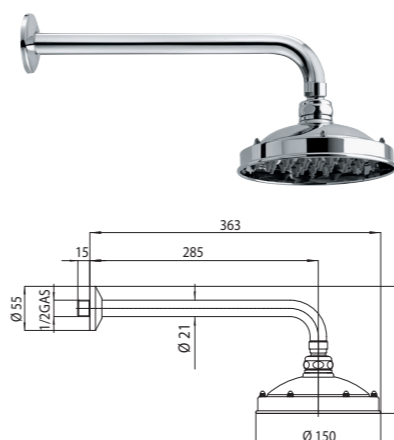


| Codice/Code    | Misura/Size | Braccio/Arm   | Finitura/Finish             | Portata acqua<br>Water flow | Box Euro      |
|----------------|-------------|---------------|-----------------------------|-----------------------------|---------------|
| <b>H18700G</b> | Ø 230 mm    | 300 mm - Ø 21 | 030 cromo/chrome            | min 10 L/min                | <b>293,00</b> |
|                | Ø 230 mm    | 300 mm - Ø 21 | 047 rame ant./ant.copper    |                             | <b>527,00</b> |
|                | Ø 230 mm    | 300 mm - Ø 21 | 022 ottone ant./ant.brass   |                             | <b>527,00</b> |
|                | Ø 230 mm    | 300 mm - Ø 21 | 094 nichel sp./satin nickel |                             | <b>527,00</b> |
|                | Ø 230 mm    | 300 mm - Ø 21 | 021 oro/gold                |                             | <b>701,00</b> |
| <b>H18700H</b> | Ø 230 mm    | 350 mm - Ø 21 | 030 cromo/chrome            | min 10 L/min                | <b>294,50</b> |
|                | Ø 230 mm    | 350 mm - Ø 21 | 047 rame ant./ant.copper    |                             | <b>529,00</b> |
|                | Ø 230 mm    | 350 mm - Ø 21 | 022 ottone ant./ant.brass   |                             | <b>529,00</b> |
|                | Ø 230 mm    | 350 mm - Ø 21 | 094 nichel sp./satin nickel |                             | <b>529,00</b> |
|                | Ø 230 mm    | 350 mm - Ø 21 | 021 oro/gold                |                             | <b>704,00</b> |



Packaging Box: 10 pz/pcs  
40x40x70

## H18701 - RETRÒ ANTIKAL Ø 150



| Codice/Code    | Misura/Size | Braccio/Arm   | Finitura/Finish             | Portata acqua<br>Water flow | Box Euro      |
|----------------|-------------|---------------|-----------------------------|-----------------------------|---------------|
| <b>H18701G</b> | Ø 150 mm    | 300 mm - Ø 21 | 030 cromo/chrome            | min 10 L/min                | <b>207,00</b> |
|                | Ø 150 mm    | 300 mm - Ø 21 | 047 rame ant./ant.copper    |                             | <b>374,50</b> |
|                | Ø 150 mm    | 300 mm - Ø 21 | 022 ottone ant./ant.brass   |                             | <b>374,50</b> |
|                | Ø 150 mm    | 300 mm - Ø 21 | 094 nichel sp./satin nickel |                             | <b>374,50</b> |
| <b>H18701H</b> | Ø 150 mm    | 350 mm - Ø 21 | 030 cromo/chrome            | min 10 L/min                | <b>208,50</b> |
|                | Ø 150 mm    | 350 mm - Ø 21 | 047 rame ant./ant.copper    |                             | <b>377,00</b> |
|                | Ø 150 mm    | 350 mm - Ø 21 | 022 ottone ant./ant.brass   |                             | <b>377,00</b> |
|                | Ø 150 mm    | 350 mm - Ø 21 | 094 nichel sp./satin nickel |                             | <b>377,00</b> |



Packaging Box: 10 pz/pcs  
40x40x70

# Cascata

Bocca vasca & doccia in ottone con getto a cascata, 1/2" M

Brass waterfall spout for bathtub & shower, 1/2" M wall inlet

Schwallbrause aus Messing für Dusche und Badewanne, mit 1/2" a.G. Wandanschluss

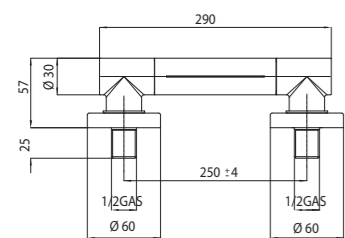
Bec cascade à jet voile pour baignoire et douche, 1/2" M

Caño cascada de latón para bañera y ducha, 1/2" M

Излив для ванной или душа, латунь каскадная струя 1/2" M

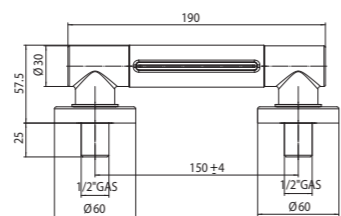


## I00271-F - CASCATA WALL - 250



| Codice/Code | Misura/Size | Finitura/Finish             | Portata acqua<br>Water flow | Box Euro |
|-------------|-------------|-----------------------------|-----------------------------|----------|
| I00271-F    | 250 mm      | 030 cromo/chrome            | min 13 L/min                | 121,00   |
|             |             | 094 nichel sp./satin nickel |                             | 208,50   |

## I00271-C - CASCATA WALL - 150



| Codice/Code | Misura/Size | Finitura/Finish  | Portata acqua<br>Water flow | Box Euro |
|-------------|-------------|------------------|-----------------------------|----------|
| I00271-C    | 150 mm      | 030 cromo/chrome | min 10 L/min                | 111,10   |

# Waterfall Spout

Bocca vasca & doccia in ottone con getto a cascata 1/2" M

Brass waterfall spout for bathtub and shower, 1/2" M wall inlet

Schwallbrause aus Messing für Dusche und Badewanne, 1/2" a.G. Wandanschluss

Bec en laiton avec jet cascade pour baignoire et douche

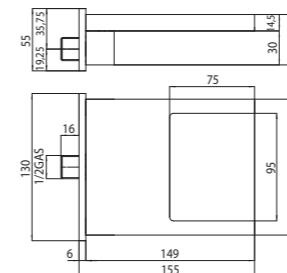
Caño cascada de latón para bañera y ducha, 1/2" M

Излив для ванной или душа, латунь каскадная струя 1/2" M



## E88500 - BOCCA CASCATA XL - 1/2" M

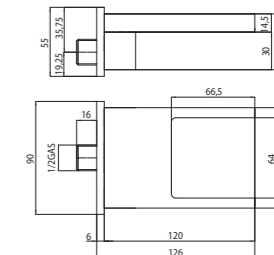
Ottone - Brass - Messing - Laiton - Latón - Латунь



| Misura/Size  | Finitura/Finish             | Portata acqua<br>Water flow | Box Euro |
|--------------|-----------------------------|-----------------------------|----------|
| 120 x 155 mm | 030 cromo/chrome            | min 14 L/min                | 415,00   |
|              | 073 nero opaco/mat black    |                             | 519,00   |
|              | 094 nichel sp./satin nickel |                             | 708,00   |

## E88600 - BOCCA CASCATA - 1/2" M

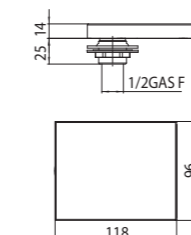
Ottone - Brass - Messing - Laiton - Latón - Латунь



| Misura/Size | Finitura/Finish  | Portata acqua<br>Water flow | Box Euro |
|-------------|------------------|-----------------------------|----------|
| 80 x 126 mm | 030 cromo/chrome | min 7,5 L/min               | 352,50   |

## E86906 - MAK - 1/2" M

Ottone - Brass - Messing - Laiton - Latón - Латунь

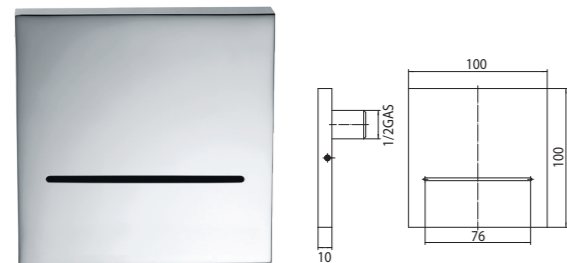


| Misura/Size | Finitura/Finish  | Portata acqua<br>Water flow | Box Euro |
|-------------|------------------|-----------------------------|----------|
| 96 x 118 mm | 030 cromo/chrome | min 14 L/min                | 179,70   |



### E86908 - OLÈ SQUARE - 1/2" M

Ottone - Brass - Messing - Laiton - Latón - Латунь



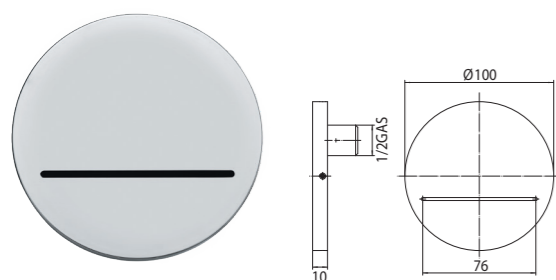
Packaging Box: 12 pz/pcs  
40x25x25

| Misura/Size  | Finitura/Finish  | Box Euro      |
|--------------|------------------|---------------|
| 100 x 100 mm | 030 cromo/chrome | <b>179,70</b> |



### E86911 - OLÈ ROUND - 1/2" M

Ottone - Brass - Messing - Laiton - Latón - Латунь



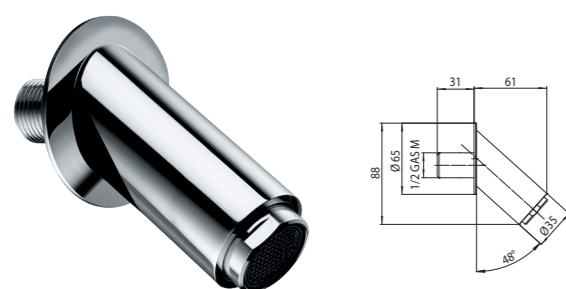
Packaging Box: 12 pz/pcs  
40x25x25

| Misura/Size | Finitura/Finish  | Box Euro      |
|-------------|------------------|---------------|
| Ø 100 mm    | 030 cromo/chrome | <b>162,30</b> |



### E88100 - STILO - 1/2" M

Ottone - Brass - Messing - Laiton - Latón - Латунь



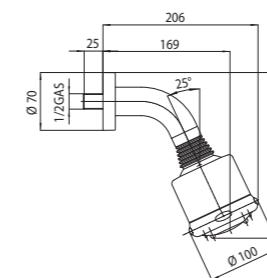
Packaging Box: 50 pz/pcs  
35x50x35

| Misura/Size | Finitura/Finish  | Box Euro     |
|-------------|------------------|--------------|
| 61 mm       | 030 cromo/chrome | <b>59,10</b> |



## Fresh - Cilindrico - Frizza

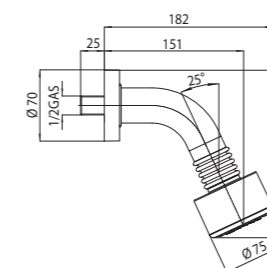
### H41020 - FRESH Ø 100



Packaging Box: 15 pz/pcs  
40x40x70

| Codice/Code   | Misura/Size | Braccio/Arm   | Finitura/Finish        | Portata acqua<br>Water flow | Box Euro     |
|---------------|-------------|---------------|------------------------|-----------------------------|--------------|
| <b>H41020</b> | Ø 100 mm    | 120 mm - Ø 38 | 235 cromo-sat./chr.mat | min 7,5 L/min               | <b>99,50</b> |

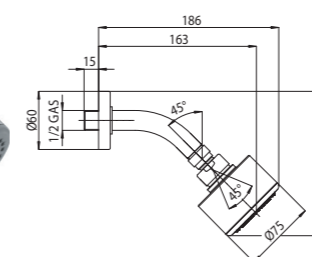
### H41352 - CYLINDRICO/1 Ø 75



Packaging Box: 20 pz/pcs  
40x40x60

| Codice/Code   | Misura/Size | Braccio/Arm   | Finitura/Finish  | Portata acqua<br>Water flow | Box Euro     |
|---------------|-------------|---------------|------------------|-----------------------------|--------------|
| <b>H41352</b> | Ø 75 mm     | 120 mm - Ø 38 | 030 cromo/chrome | min 5 L/min                 | <b>70,80</b> |

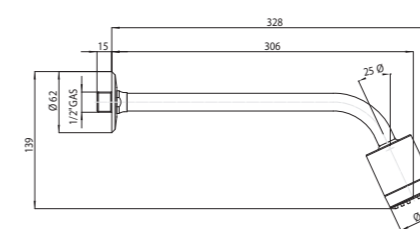
### H26352 - CYLINDRICO/1 Ø 75



Packaging Box: 20 pz/pcs  
40x40x60

| Codice/Code   | Misura/Size | Braccio/Arm   | Finitura/Finish  | Portata acqua<br>Water flow | Box Euro     |
|---------------|-------------|---------------|------------------|-----------------------------|--------------|
| <b>H26352</b> | Ø 75 mm     | 120 mm - Ø 21 | 030 cromo/chrome | min 5 L/min                 | <b>40,70</b> |

### H24074 - FRIZZA GOM Ø 51 - RISPARMIO ACQUA



Packaging Box: 20 pz/pcs  
40x40x60

| Codice/Code    | Misura/Size | Braccio/Arm   | Finitura/Finish  | Portata acqua<br>Water flow | Box Euro     |
|----------------|-------------|---------------|------------------|-----------------------------|--------------|
| <b>H240748</b> | Ø 51 mm     | 100 mm - Ø 21 | 030 cromo/chrome | min 5 L/min                 | <b>24,65</b> |
| <b>H24074D</b> | Ø 51 mm     | 200 mm - Ø 21 | 030 cromo/chrome | min 5 L/min                 | <b>26,75</b> |
| <b>H24074G</b> | Ø 51 mm     | 300 mm - Ø 21 | 030 cromo/chrome | min 5 L/min                 | <b>30,00</b> |

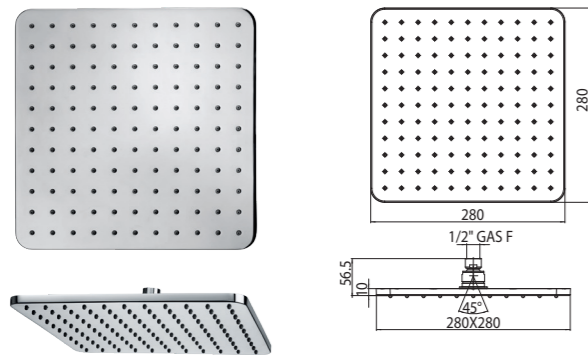


**Soffioni singoli**  
**Shower heads**

Kopfbrausen  
Pommes de douche  
Rociadores  
*Душевые лейки*

**I00598 - COSMO □280**

Ottone - Brass - Messing - Laiton - Latón - Латунь

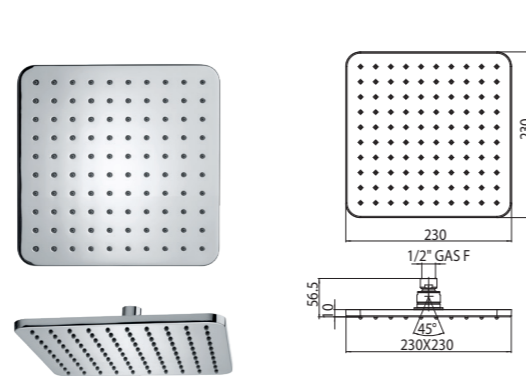


Packaging Box: 10 pz/pcs  
60x40x40

| Codice/Code   | Misura/Size  | Finitura/Finish             | Portata acqua<br>Water flow | Box Euro      |
|---------------|--------------|-----------------------------|-----------------------------|---------------|
| <b>I00598</b> | 280 x 280 mm | 030 cromo/chrome            | min 7 L/min                 | <b>254,00</b> |
|               |              | 073 nero opaco/mat black    |                             | <b>355,50</b> |
|               |              | 094 nichel sp./satin nickel |                             | <b>450,50</b> |

**I00597 - COSMO □230**

Ottone - Brass - Messing - Laiton - Latón - Латунь

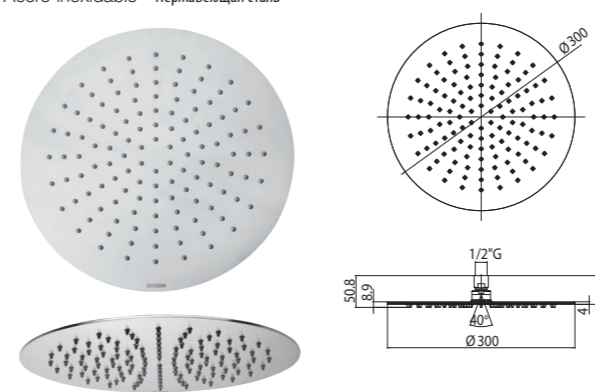


Packaging Box: 10 pz/pcs  
50x35x35

| Codice/Code   | Misura/Size  | Finitura/Finish  | Portata acqua<br>Water flow | Box Euro      |
|---------------|--------------|------------------|-----------------------------|---------------|
| <b>I00597</b> | 230 x 230 mm | 030 cromo/chrome | min 7 L/min                 | <b>196,90</b> |

**I00872 - TETIS Ø 300 - 4mm**

Inox - Stainless steel - Edelstahl - Acier inoxydable  
Acero inoxidable - Нержавеющая сталь

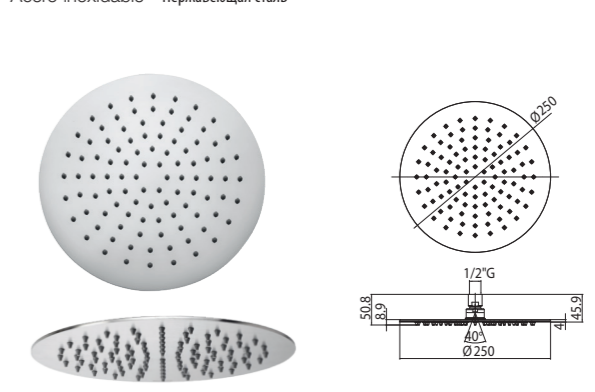


Packaging Box: 10 pz/pcs  
40x60x40

| Codice/Code   | Misura/Size | Finitura/Finish  | Portata acqua<br>Water flow | Box Euro      |
|---------------|-------------|------------------|-----------------------------|---------------|
| <b>I00872</b> | Ø 300 mm    | 030 cromo/chrome | min 10 L/min                | <b>196,00</b> |

**I00871 - TETIS Ø 250 - 4mm**

Inox - Stainless steel - Edelstahl - Acier inoxydable  
Acero inoxidable - Нержавеющая сталь

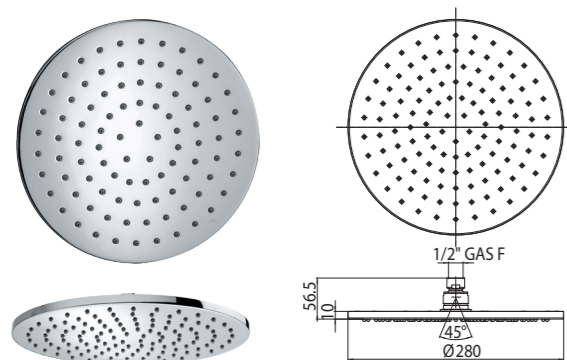


Packaging Box: 10 pz/pcs  
35x50x35

| Codice/Code   | Misura/Size | Finitura/Finish  | Portata acqua<br>Water flow | Box Euro      |
|---------------|-------------|------------------|-----------------------------|---------------|
| <b>I00871</b> | Ø 250 mm    | 030 cromo/chrome | min 10 L/min                | <b>162,30</b> |

**I00596 - COSMO Ø 280**

Ottone - Brass - Messing - Laiton - Latón - Латунь

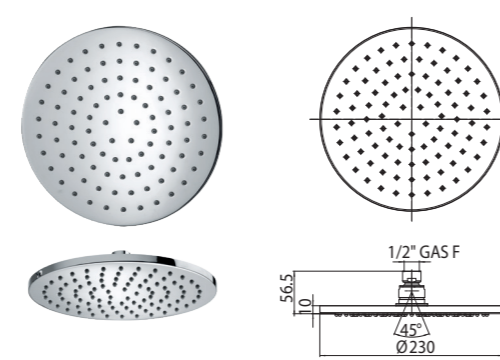


Packaging Box: 10 pz/pcs  
60x40x40

| Codice/Code   | Misura/Size | Finitura/Finish             | Portata acqua<br>Water flow | Box Euro      |
|---------------|-------------|-----------------------------|-----------------------------|---------------|
| <b>I00596</b> | Ø 280 mm    | 030 cromo/chrome            | min 7 L/min                 | <b>231,50</b> |
|               |             | 073 nero opaco/mat black    |                             | <b>324,00</b> |
|               |             | 094 nichel sp./satin nickel |                             | <b>411,50</b> |

**I00595 - COSMO Ø 230**

Ottone - Brass - Messing - Laiton - Latón - Латунь

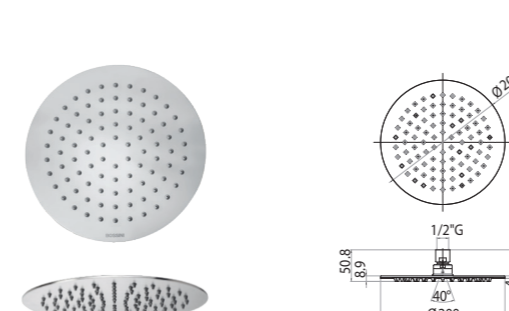


Packaging Box: 10 pz/pcs  
50x35x35

| Codice/Code   | Misura/Size | Finitura/Finish  | Portata acqua<br>Water flow | Box Euro      |
|---------------|-------------|------------------|-----------------------------|---------------|
| <b>I00595</b> | Ø 230 mm    | 030 cromo/chrome | min 7 L/min                 | <b>174,50</b> |

**I00870 - TETIS Ø 200 - 4mm**

Inox - Stainless steel - Edelstahl - Acier inoxydable  
Acero inoxidable - Нержавеющая сталь

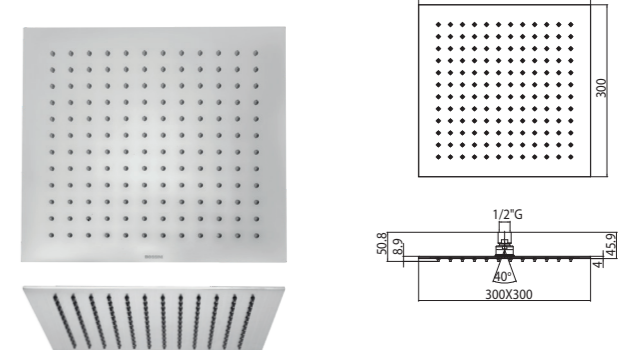


Packaging Box: 15 pz/pcs  
35x50x35

| Codice/Code   | Misura/Size | Finitura/Finish  | Portata acqua<br>Water flow | Box Euro      |
|---------------|-------------|------------------|-----------------------------|---------------|
| <b>I00870</b> | Ø 200 mm    | 030 cromo/chrome | min 7,5 L/min               | <b>127,50</b> |

**I00875 - TETIS □300 - 4mm**

Inox - Stainless steel - Edelstahl - Acier inoxydable  
Acero inoxidable - Нержавеющая сталь

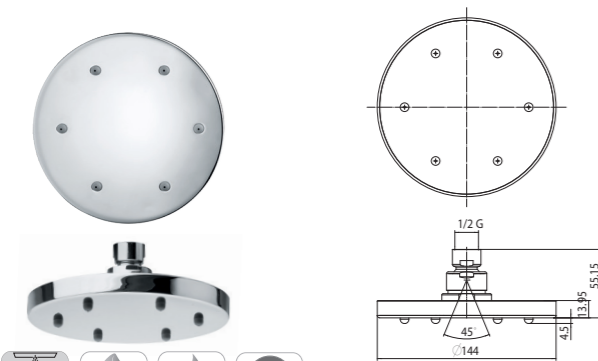


Packaging Box: 10 pz/pcs  
40x60x40

| Codice/Code   | Misura/Size  | Finitura/Finish  | Portata acqua<br>Water flow | Box Euro      |
|---------------|--------------|------------------|-----------------------------|---------------|
| <b>I00875</b> | 300 x 300 mm | 030 cromo/chrome | min 10 L/min                | <b>220,00</b> |

**I00620 - NEBULIZAIR Ø 140**

Ottone - Brass - Messing - Laiton - Latón - Латунь

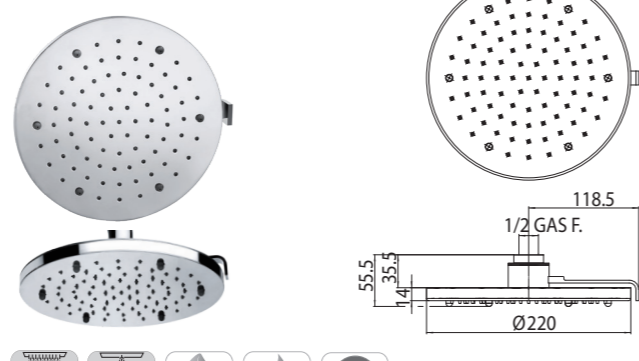


Packaging Box: 20 pz/pcs  
35x35x50

| Codice/Code   | Misura/Size | Finitura/Finish  | Portata acqua<br>Water flow | Box Euro      |
|---------------|-------------|------------------|-----------------------------|---------------|
| <b>I00620</b> | Ø 140 mm    | 030 cromo/chrome | min 5 L/min                 | <b>146,30</b> |

**I00625 - NEBULIZAIR/2 Ø 220**

Ottone - Brass - Messing - Laiton - Latón - Латунь

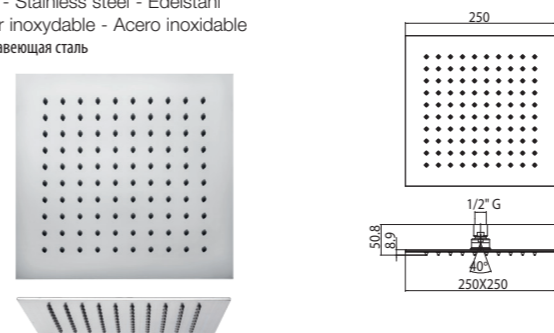


Packaging Box: 10 pz/pcs  
35x35x50

| Codice/Code   | Misura/Size | Finitura/Finish  | Portata acqua<br>Water flow | Box Euro      |
|---------------|-------------|------------------|-----------------------------|---------------|
| <b>I00625</b> | Ø 220 mm    | 030 cromo/chrome | min 6,5 L/min               | <b>284,50</b> |

**I00874 - TETIS □250 - 4mm**

Inox - Stainless steel - Edelstahl  
Acier inoxydable - Acero inoxidable  
Нержавеющая сталь

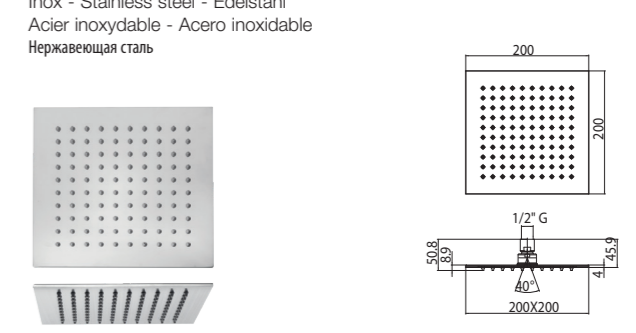


Packaging Box: 10 pz/pcs  
35x50x35

| Codice/Code   | Misura/Size  | Finitura/Finish  | Portata acqua<br>Water flow | Box Euro      |
|---------------|--------------|------------------|-----------------------------|---------------|
| <b>I00874</b> | 250 x 250 mm | 030 cromo/chrome | min 10 L/min                | <b>185,50</b> |

**I00873 - TETIS □200 - 4mm**

Inox - Stainless steel - Edelstahl  
Acier inoxydable - Acero inoxidable  
Нержавеющая сталь

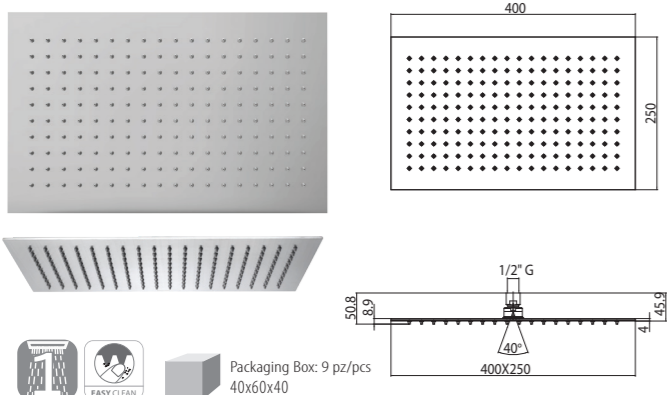


Packaging Box: 15 pz/pcs  
35x50x35

| Codice/Code   | Misura/Size  | Finitura/Finish  | Portata acqua<br>Water flow | Box Euro      |
|---------------|--------------|------------------|-----------------------------|---------------|
| <b>I00873</b> | 200 x 200 mm | 030 cromo/chrome | min 7,5 L/min               | <b>144,90</b> |

### I00877 - TETIS 400 x 250 - 4mm

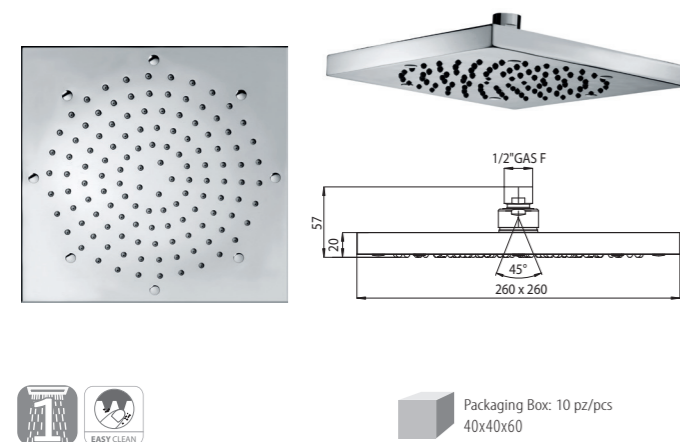
Inox - Stainless steel - Edelstahl - Acier inoxydable  
Acero inoxidable - Нержавеющая сталь



| Codice/Code   | Misura/Size  | Finitura/Finish  | Portata acqua Water flow | Box Euro      |
|---------------|--------------|------------------|--------------------------|---------------|
| <b>I00877</b> | 400 x 250 mm | 030 cromo/chrome | min 10 L/min             | <b>324,00</b> |

### I00715 - CUBE 260

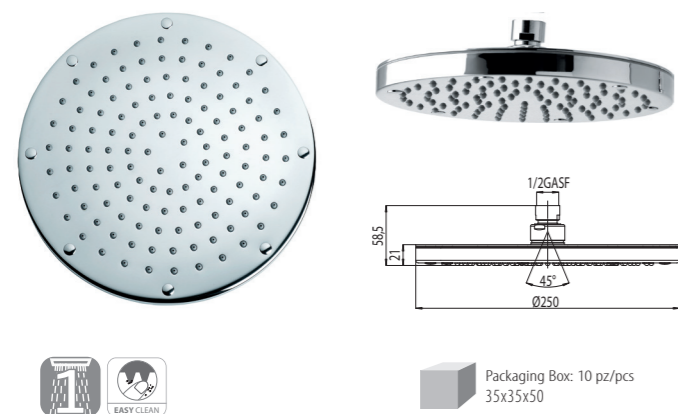
Inox - Stainless steel - Edelstahl  
Acier inoxydable - Acero inoxidable  
Нержавеющая сталь



| Codice/Code   | Misura/Size  | Finitura/Finish  | Portata acqua Water flow | Box Euro      |
|---------------|--------------|------------------|--------------------------|---------------|
| <b>I00715</b> | 260 x 260 mm | 030 cromo/chrome | min 10 L/min             | <b>231,50</b> |

### I00410 - OKI Ø 250

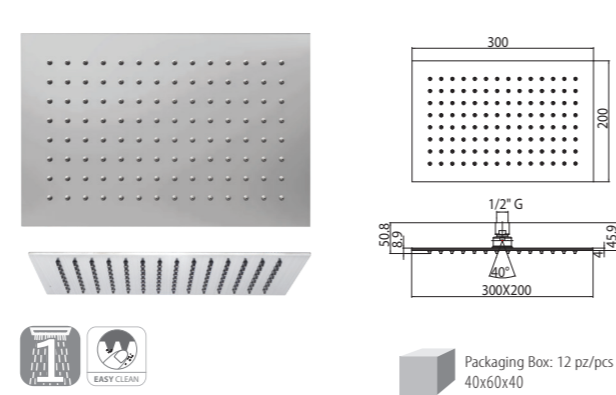
Ottone - Brass - Messing - Laiton - Latón - Латунь



| Codice/Code   | Misura/Size | Finitura/Finish             | Portata acqua Water flow | Box Euro      |
|---------------|-------------|-----------------------------|--------------------------|---------------|
| <b>I00410</b> | Ø 250 mm    | 030 cromo/chrome            | min 10 L/min             | <b>207,50</b> |
|               | Ø 250 mm    | 094 nichel sp./satin nickel |                          | <b>383,00</b> |

### I00876 - TETIS 300 x 200 - 4mm

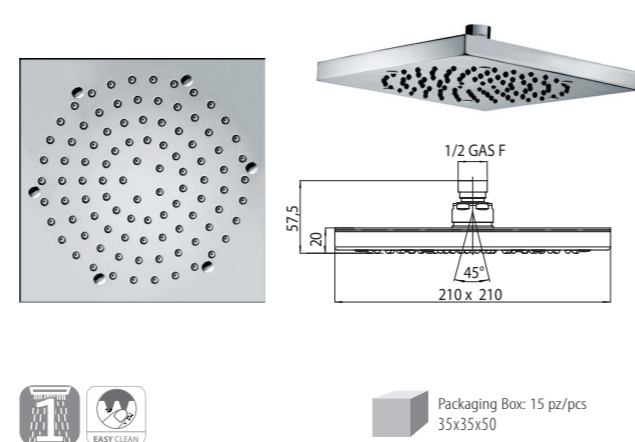
Inox - Stainless steel - Edelstahl - Acier inoxydable  
Acero inoxidable - Нержавеющая сталь



| Codice/Code   | Misura/Size  | Finitura/Finish  | Portata acqua Water flow | Box Euro      |
|---------------|--------------|------------------|--------------------------|---------------|
| <b>I00876</b> | 300 x 200 mm | 030 cromo/chrome | min 7,5 L/min            | <b>243,50</b> |

### I00720 - CUBE 210

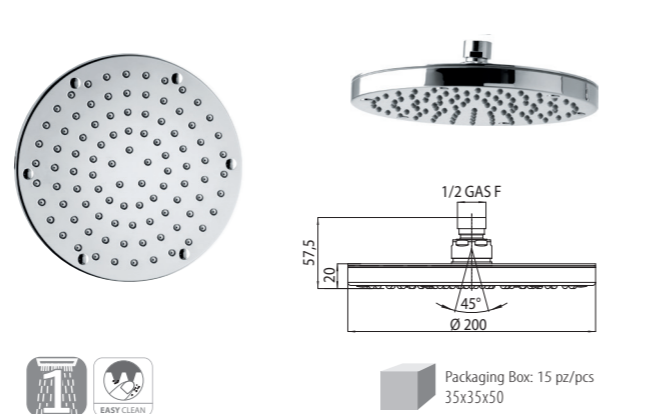
Inox - Stainless steel - Edelstahl  
Acier inoxydable - Acero inoxidable  
Нержавеющая сталь



| Codice/Code   | Misura/Size  | Finitura/Finish             | Portata acqua Water flow | Box Euro      |
|---------------|--------------|-----------------------------|--------------------------|---------------|
| <b>I00720</b> | 210 x 210 mm | 030 cromo/chrome            | min 9 L/min              | <b>178,50</b> |
|               | 210 x 210 mm | 094 nichel sp./satin nickel |                          | <b>360,00</b> |

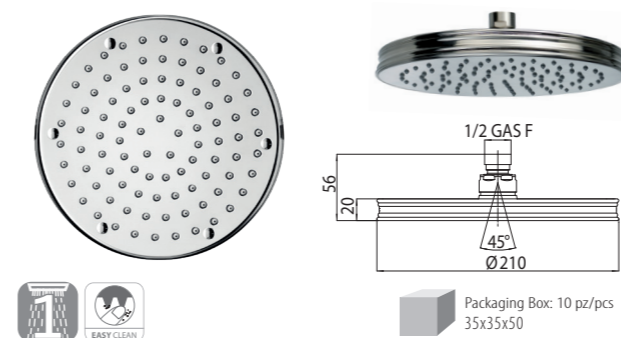
### I00405 - OKI Ø 200

Ottone - Brass - Messing - Laiton - Latón - Латунь



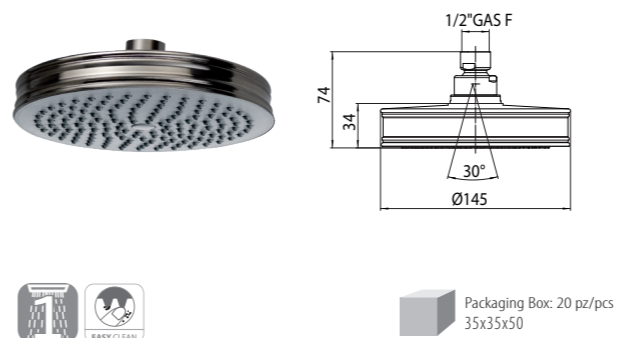
| Codice/Code   | Misura/Size | Finitura/Finish             | Portata acqua Water flow | Box Euro      |
|---------------|-------------|-----------------------------|--------------------------|---------------|
| <b>I00405</b> | Ø 200 mm    | 030 cromo/chrome            | min 9 L/min              | <b>155,20</b> |
|               | Ø 200 mm    | 094 nichel sp./satin nickel |                          | <b>311,00</b> |

### I00740 - LIBERTY GOM Ø 210



| Codice/Code   | Misura/Size | Finitura/Finish              | Portata acqua Water flow | Box Euro      |
|---------------|-------------|------------------------------|--------------------------|---------------|
| <b>I00740</b> | Ø 210 mm    | 030 cromo/chrome             | min 9 L/min              | <b>219,50</b> |
|               | Ø 210 mm    | 094 nichel sp./satin nickel  |                          | <b>434,00</b> |
|               | Ø 210 mm    | 022 ottone antico/ant. brass |                          | <b>434,00</b> |
|               | Ø 210 mm    | 021 oro/gold                 |                          | <b>596,00</b> |

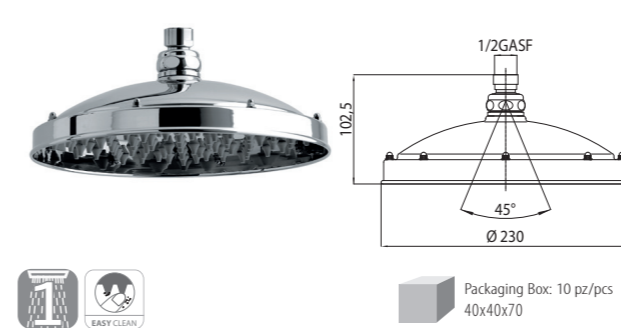
### I00743 - LIBERTY/1 Ø 140



| Codice/Code   | Misura/Size | Finitura/Finish              | Portata acqua Water flow | Box Euro      |
|---------------|-------------|------------------------------|--------------------------|---------------|
| <b>I00743</b> | Ø 140 mm    | 030 cromo/chrome             | min 7 L/min              | <b>92,30</b>  |
|               | Ø 140 mm    | 094 nichel sp./satin nickel  |                          | <b>162,10</b> |
|               | Ø 140 mm    | 022 ottone antico/ant. brass |                          | <b>162,10</b> |
|               | Ø 140 mm    | 021 oro/gold                 |                          | <b>174,50</b> |

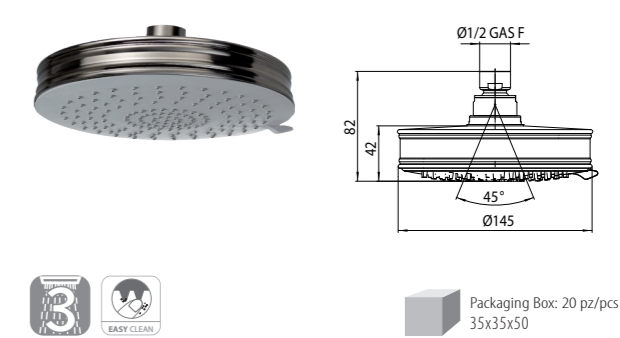
### I00700 - RETRÒ ANTICAL Ø 230

Ottone - Brass - Messing - Laiton - Latón - Латунь



| Codice/Code   | Misura/Size | Finitura/Finish             | Portata acqua Water flow | Box Euro      |
|---------------|-------------|-----------------------------|--------------------------|---------------|
| <b>I00700</b> | Ø 230 mm    | 030 cromo/chrome            | min 10 L/min             | <b>264,00</b> |
|               | Ø 230 mm    | 021 oro/gold                |                          | <b>641,00</b> |
|               | Ø 230 mm    | 047 rame ant./ant.copper    |                          | <b>478,50</b> |
|               | Ø 230 mm    | 022 ottone ant./ant.brass   |                          | <b>478,50</b> |
|               | Ø 230 mm    | 094 nichel sp./satin nickel |                          | <b>478,50</b> |

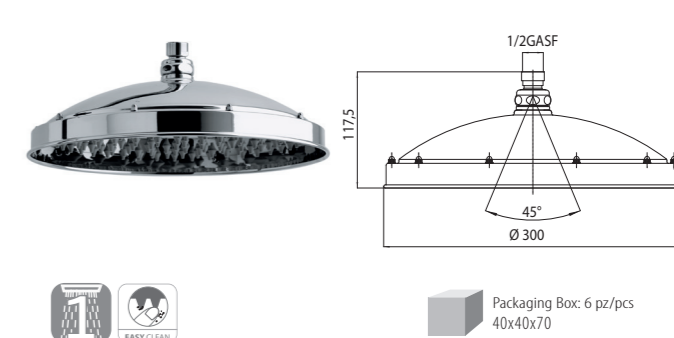
### I00742 - LIBERTY/3 Ø 140



| Codice/Code   | Misura/Size | Finitura/Finish              | Portata acqua Water flow | Box Euro      |
|---------------|-------------|------------------------------|--------------------------|---------------|
| <b>I00742</b> | Ø 140 mm    | 030 cromo/chrome             | min 9 L/min              | <b>101,30</b> |
|               | Ø 140 mm    | 094 nichel sp./satin nickel  |                          | <b>171,00</b> |
|               | Ø 140 mm    | 022 ottone antico/ant. brass |                          | <b>171,00</b> |
|               | Ø 140 mm    | 021 oro/gold                 |                          | <b>183,40</b> |

### I00703 - RETRÒ ANTICAL Ø 300

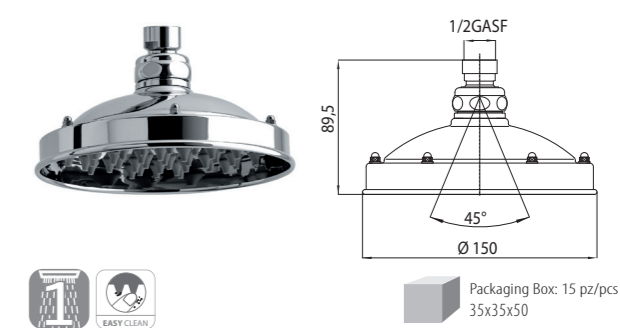
Ottone - Brass - Messing - Laiton - Latón - Латунь



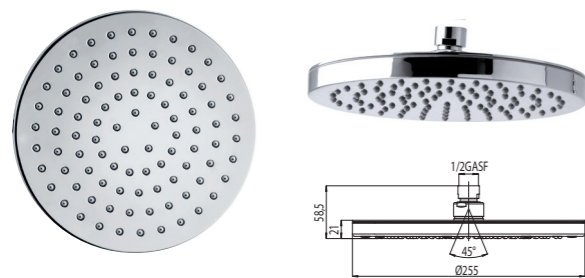
| Codice/Code   | Misura/Size | Finitura/Finish             | Portata acqua Water flow | Box Euro      |
|---------------|-------------|-----------------------------|--------------------------|---------------|
| <b>I00703</b> | Ø 300 mm    | 030 cromo/chrome            | min 10 L/min             | <b>407,50</b> |
|               | Ø 300 mm    | 021 oro/gold                |                          | <b>920,00</b> |
|               | Ø 300 mm    | 047 rame ant./ant.copper    |                          | <b>757,00</b> |
|               | Ø 300 mm    | 022 ottone ant./ant.brass   |                          | <b>757,00</b> |
|               | Ø 300 mm    | 094 nichel sp./satin nickel |                          | <b>757,00</b> |

### I00701 - RETRÒ ANTICAL Ø 150

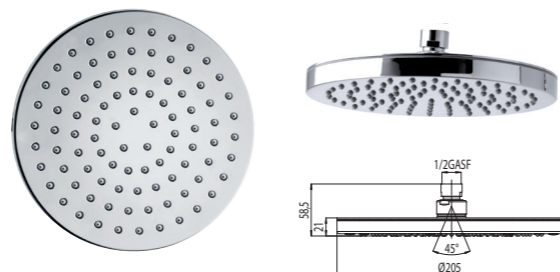
Ottone - Brass - Messing - Laiton - Latón - Латунь



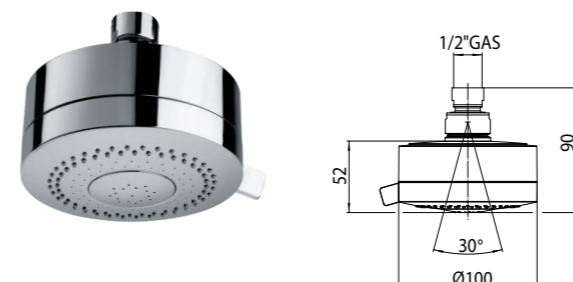
| Codice/Code   | Misura/Size | Finitura/Finish             | Portata acqua Water flow | Box Euro      |
|---------------|-------------|-----------------------------|--------------------------|---------------|
| <b>I00701</b> | Ø 150 mm    | 030 cromo/chrome            | min 10 L/min             | <b>177,90</b> |
|               | Ø 150 mm    | 021 oro/gold                |                          | <b>393,50</b> |
|               | Ø 150 mm    | 047 rame ant./ant.copper    |                          | <b>325,50</b> |
|               | Ø 150 mm    | 022 ottone ant./ant.brass   |                          | <b>325,50</b> |
|               | Ø 150 mm    | 094 nichel sp./satin nickel |                          | <b>325,50</b> |

**I00412 - ELIOS Ø 250**  
ABS

 Packaging Box: 10 pz/pcs  
35x35x50

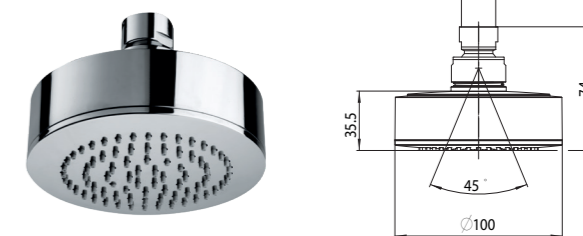
| Codice/Code   | Misura/Size | Finitura/Finish  | Portata acqua<br>Water flow | Box Euro      |
|---------------|-------------|------------------|-----------------------------|---------------|
| <b>I00412</b> | Ø 250 mm    | 030 cromo/chrome | min 10 L/min                | <b>133,40</b> |

**I00417 - ELIOS Ø 200**  
ABS

 Packaging Box: 15 pz/pcs  
35x35x50

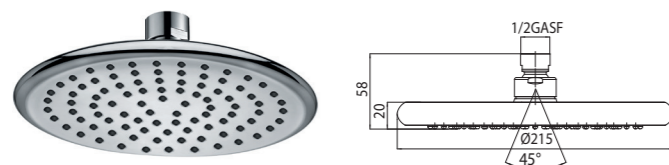
| Codice/Code   | Misura/Size | Finitura/Finish  | Portata acqua<br>Water flow | Box Euro      |
|---------------|-------------|------------------|-----------------------------|---------------|
| <b>I00417</b> | Ø 200 mm    | 030 cromo/chrome | min 9 L/min                 | <b>110,20</b> |

**I00236 - KIRA/3 LP Ø 100**  
ABS

 Packaging Box: 35 pz/pcs  
35x35x50

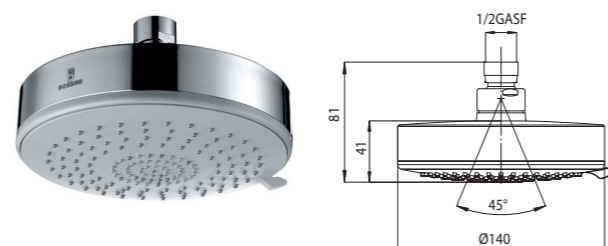
| Codice/Code   | Misura/Size | Finitura/Finish  | Box Euro     |
|---------------|-------------|------------------|--------------|
| <b>I00236</b> | Ø 100 mm    | 030 cromo/chrome | <b>45,20</b> |

**I00237 - KIRA/1 Ø 100**  
ABS

 Packaging Box: 35 pz/pcs  
35x35x50

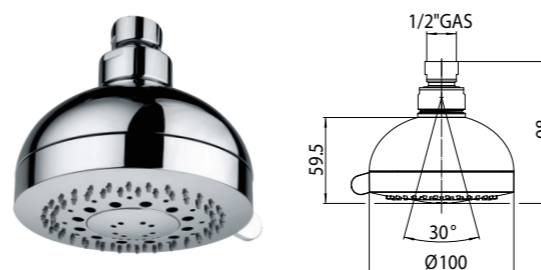
| Codice/Code   | Misura/Size | Finitura/Finish  | Portata acqua<br>Water flow | Box Euro     |
|---------------|-------------|------------------|-----------------------------|--------------|
| <b>I00237</b> | Ø 100 mm    | 030 cromo/chrome | min 5 L/min                 | <b>32,30</b> |

**I00420 - AGUA Ø 210**  
ABS

 Packaging Box: 15 pz/pcs  
35x35x50

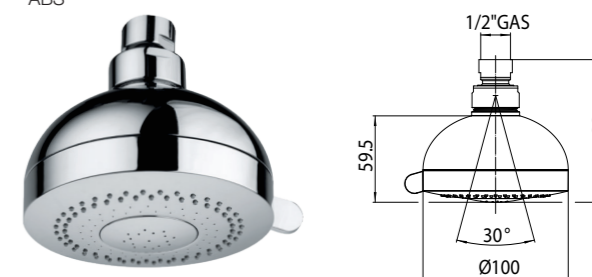
| Codice/Code   | Misura/Size | Finitura/Finish  | Portata acqua<br>Water flow | Box Euro      |
|---------------|-------------|------------------|-----------------------------|---------------|
| <b>I00420</b> | Ø 210       | 030 cromo/chrome | min 9 L/min                 | <b>115,90</b> |

**I00169 - DINAMIC/3 Ø 140**  
ABS

 Packaging Box: 20 pz/pcs  
35x35x50

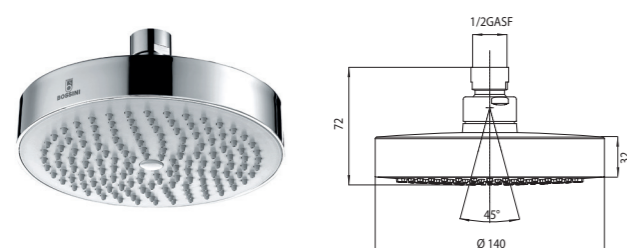
| Codice/Code   | Misura/Size | Finitura/Finish  | Portata acqua<br>Water flow | Box Euro     |
|---------------|-------------|------------------|-----------------------------|--------------|
| <b>I00169</b> | Ø 140 mm    | 030 cromo/chrome | min 9 L/min                 | <b>62,00</b> |

**I00218 - RONDO/3 Ø 100**  
ABS

 Packaging Box: 35 pz/pcs  
35x35x50

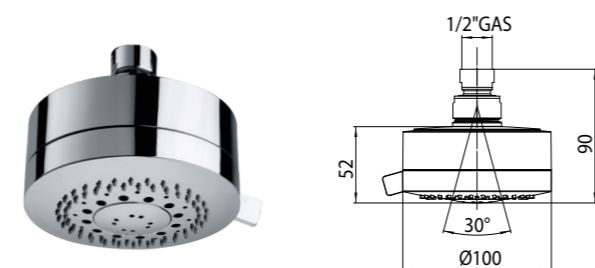
| Codice/Code   | Misura/Size | Finitura/Finish  | Portata acqua<br>Water flow | Box Euro     |
|---------------|-------------|------------------|-----------------------------|--------------|
| <b>I00218</b> | Ø 100 mm    | 030 cromo/chrome | min 7,5 L/min               | <b>45,20</b> |

**I00219 - RONDO/3 - LP Ø 100**  
ABS

 Packaging Box: 35 pz/pcs  
35x35x50

| Codice/Code   | Misura/Size | Finitura/Finish  | Box Euro     |
|---------------|-------------|------------------|--------------|
| <b>I00219</b> | Ø 100 mm    | 030 cromo/chrome | <b>45,20</b> |

**I00166 - DINAMIC/1 Ø 140**  
ABS

 Packaging Box: 20 pz/pcs  
35x35x50

| Codice/Code   | Misura/Size | Finitura/Finish  | Portata acqua<br>Water flow | Box Euro     |
|---------------|-------------|------------------|-----------------------------|--------------|
| <b>I00166</b> | Ø 140 mm    | 030 cromo/chrome | min 7 L/min                 | <b>52,80</b> |

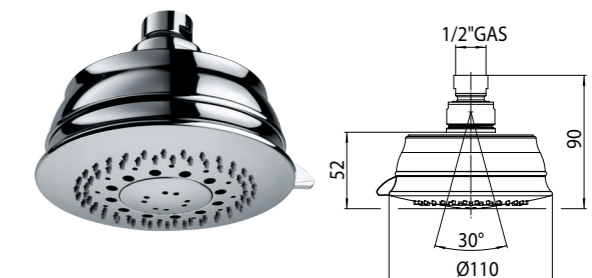
**I00235 - KIRA/3 Ø 100**  
ABS

 Packaging Box: 35 pz/pcs  
35x35x50

| Codice/Code   | Misura/Size | Finitura/Finish  | Portata acqua<br>Water flow | Box Euro     |
|---------------|-------------|------------------|-----------------------------|--------------|
| <b>I00235</b> | Ø 100 mm    | 030 cromo/chrome | min 7,5 L/min               | <b>45,20</b> |

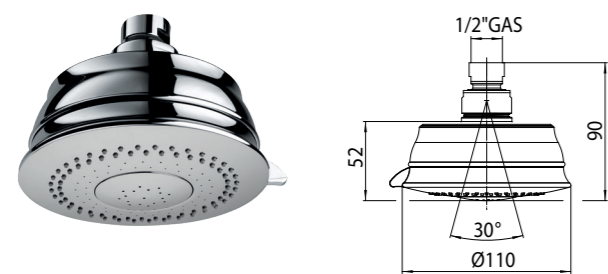
**I00223 - RONDO/1 Ø 100**  
ABS

 Packaging Box: 35 pz/pcs  
35x35x50

| Codice/Code   | Misura/Size | Finitura/Finish  | Portata acqua<br>Water flow | Box Euro     |
|---------------|-------------|------------------|-----------------------------|--------------|
| <b>I00223</b> | Ø 100 mm    | 030 cromo/chrome | min 5 L/min                 | <b>32,30</b> |

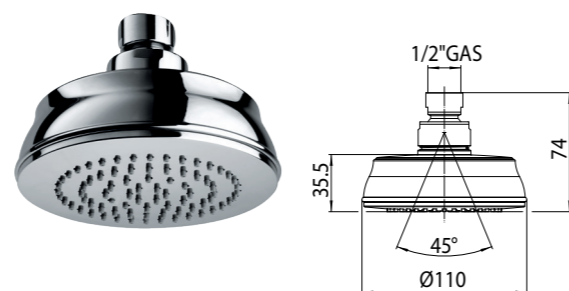
**I00224 - CLASSIC/3 Ø 110**  
ABS

 Packaging Box: 35 pz/pcs  
35x35x50

| Codice/Code   | Misura/Size | Finitura/Finish  | Portata acqua<br>Water flow | Box Euro     |
|---------------|-------------|------------------|-----------------------------|--------------|
| <b>I00224</b> | Ø 110 mm    | 030 cromo/chrome | min 7,5 L/min               | <b>45,20</b> |

**I00225** - CLASSIC/3 - LP Ø 110  
ABS

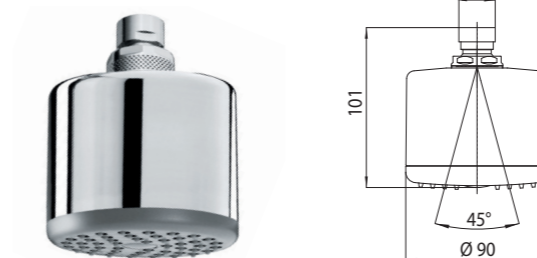
Packaging Box: 35 pz/pcs  
35x35x50

| Codice/Code   | Misura/Size | Finitura/Finish  | Portata acqua<br>Water flow | Box Euro     |
|---------------|-------------|------------------|-----------------------------|--------------|
| <b>I00225</b> | Ø 110 mm    | 030 cromo/chrome |                             | <b>45,20</b> |

**I00226** - CLASSIC/1 Ø 110  
ABS

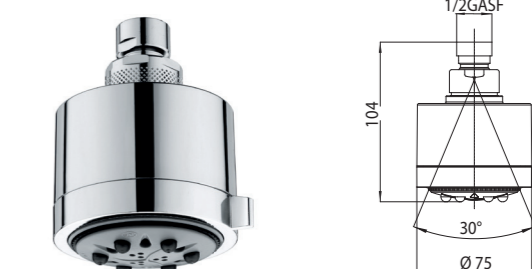
Packaging Box: 35 pz/pcs  
35x35x50

| Codice/Code   | Misura/Size | Finitura/Finish  | Portata acqua<br>Water flow | Box Euro     |
|---------------|-------------|------------------|-----------------------------|--------------|
| <b>I00226</b> | Ø 110 mm    | 030 cromo/chrome | min 5 L/min                 | <b>32,30</b> |

**I00023** - TOP RAIN Ø 90  
ABS

Packaging Box: 50 pz/pcs  
40x40x60

| Codice/Code   | Misura/Size | Finitura/Finish  | Portata acqua<br>Water flow | Box Euro     |
|---------------|-------------|------------------|-----------------------------|--------------|
| <b>I00023</b> | Ø 90 mm     | 030 cromo/chrome | min 5 L/min                 | <b>28,85</b> |

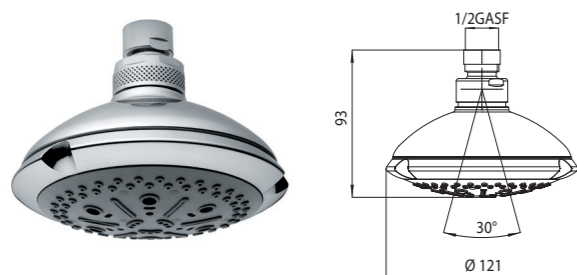
**I00351** - CYLINDRICO/5 Ø 75  
ABS

Packaging Box: 60 pz/pcs  
35x35x50

| Codice/Code   | Misura/Size | Finitura/Finish  | Portata acqua<br>Water flow | Box Euro     |
|---------------|-------------|------------------|-----------------------------|--------------|
| <b>I00351</b> | Ø 75 mm     | 030 cromo/chrome | min 5 L/min                 | <b>33,90</b> |

**I00180** - OCEAN/4 Ø 121

Ottone - Brass - Messing - Laiton - Latón - Латунь

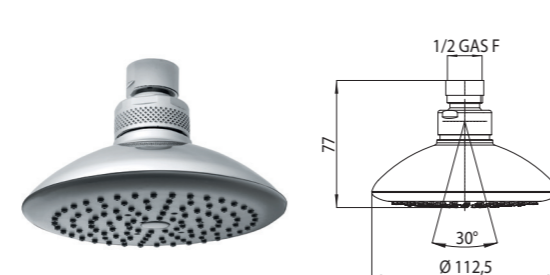


Packaging Box: 45 pz/pcs  
40x40x60

| Codice/Code   | Misura/Size | Finitura/Finish  | Portata acqua<br>Water flow | Box Euro     |
|---------------|-------------|------------------|-----------------------------|--------------|
| <b>I00180</b> | Ø 121 mm    | 030 cromo/chrome | min 9 L/min                 | <b>61,30</b> |

**I00182** - OCEAN/1 Ø 112

Ottone - Brass - Messing - Laiton - Latón - Латунь



Packaging Box: 45 pz/pcs  
40x40x60

| Codice/Code   | Misura/Size | Finitura/Finish  | Portata acqua<br>Water flow | Box Euro     |
|---------------|-------------|------------------|-----------------------------|--------------|
| <b>I00182</b> | Ø 112 mm    | 030 cromo/chrome | min 7 L/min                 | <b>39,30</b> |

**I00350** - CYLINDRICO/3 Ø 75  
ABS

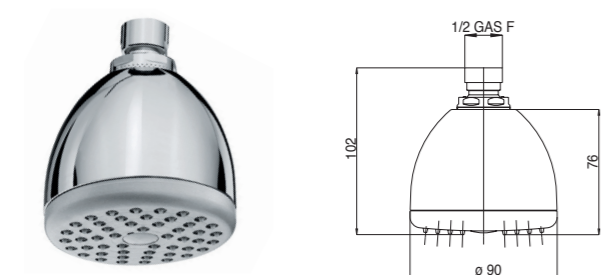
Packaging Box: 60 pz/pcs  
35x35x50

| Codice/Code   | Misura/Size | Finitura/Finish  | Portata acqua<br>Water flow | Box Euro     |
|---------------|-------------|------------------|-----------------------------|--------------|
| <b>I00350</b> | Ø 75 mm     | 030 cromo/chrome | min 5 L/min                 | <b>29,60</b> |

**I00352** - CYLINDRICO/1 Ø 75  
ABS

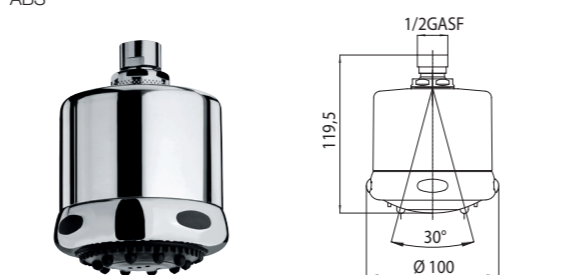
Packaging Box: 80 pz/pcs  
35x35x50

| Codice/Code   | Misura/Size | Finitura/Finish  | Portata acqua<br>Water flow | Box Euro     |
|---------------|-------------|------------------|-----------------------------|--------------|
| <b>I00352</b> | Ø 75 mm     | 030 cromo/chrome | min 5 L/min                 | <b>22,10</b> |

**I00323** - OVO RAIN Ø 90  
ABS

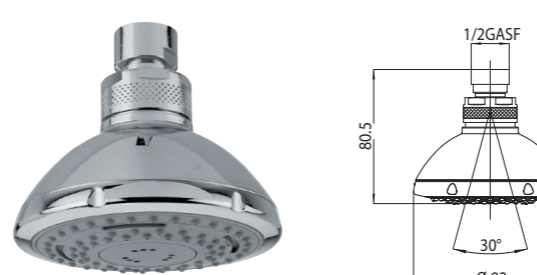
Packaging Box: 50 pz/pcs  
40x40x60

| Codice/Code   | Misura/Size | Finitura/Finish  | Portata acqua<br>Water flow | Box Euro     |
|---------------|-------------|------------------|-----------------------------|--------------|
| <b>I00323</b> | Ø 90 mm     | 030 cromo/chrome | min 5 L/min                 | <b>28,85</b> |

**I00020** - FRESH Ø 100  
ABS

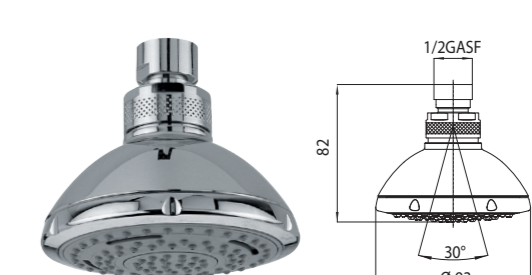
Packaging Box: 50 pz/pcs  
40x40x60

| Codice/Code   | Misura/Size | Finitura/Finish           | Portata acqua<br>Water flow | Box Euro     |
|---------------|-------------|---------------------------|-----------------------------|--------------|
| <b>I00020</b> | Ø 100 mm    | 235 cromo-satin./chr.-mat | min 7,5 L/min               | <b>50,90</b> |

**I00130** - DUETTO MAS Ø 93  
Ottone - Brass - Messing - Laiton - Latón - Латунь

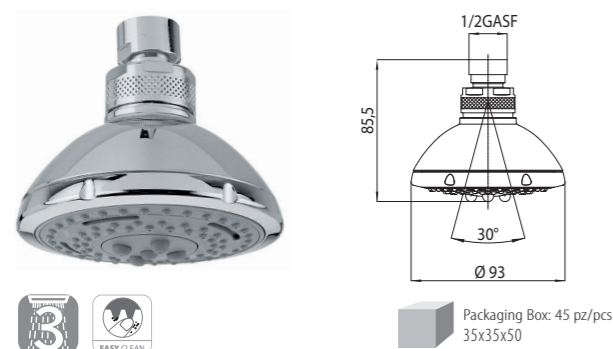
Packaging Box: 45 pz/pcs  
35x35x50

| Codice/Code   | Misura/Size | Finitura/Finish  | Portata acqua<br>Water flow | Box Euro     |
|---------------|-------------|------------------|-----------------------------|--------------|
| <b>I00130</b> | Ø 93 mm     | 030 cromo/chrome | min 7,5 L/min               | <b>48,60</b> |

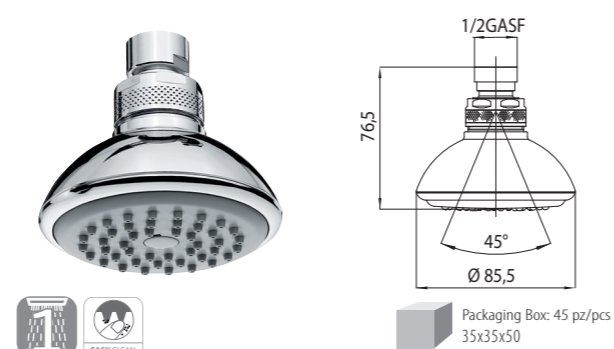
**I00131** - DUETTO RAIN Ø 93  
Ottone - Brass - Messing - Laiton - Latón - Латунь

Packaging Box: 45 pz/pcs  
35x35x50

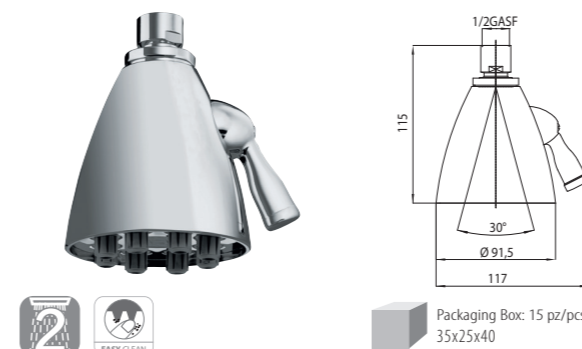
| Codice/Code   | Misura/Size | Finitura/Finish  | Portata acqua<br>Water flow | Box Euro     |
|---------------|-------------|------------------|-----------------------------|--------------|
| <b>I00131</b> | Ø 93 mm     | 030 cromo/chrome | min 7,5 L/min               | <b>48,60</b> |

**I00132 - DUETTO NEB Ø 93**  
 Ottone - Brass - Messing - Laiton - Latón - Латунь


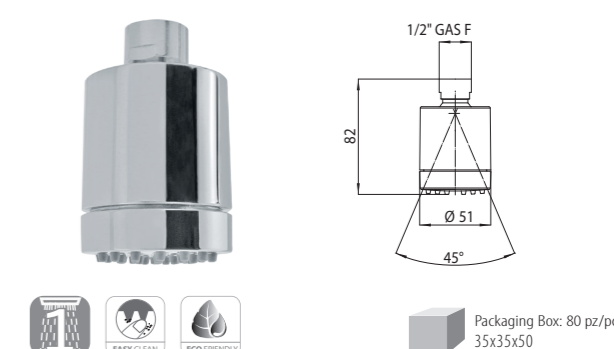
| Codice/Code   | Misura/Size | Finitura/Finish  | Portata acqua Water flow | Box Euro     |
|---------------|-------------|------------------|--------------------------|--------------|
| <b>I00132</b> | Ø 93 mm     | 030 cromo/chrome | min 7,5 L/min            | <b>48,60</b> |

**I00092 - VITALITY/1 Ø 85**  
 Ottone - Brass - Messing - Laiton - Latón - Латунь


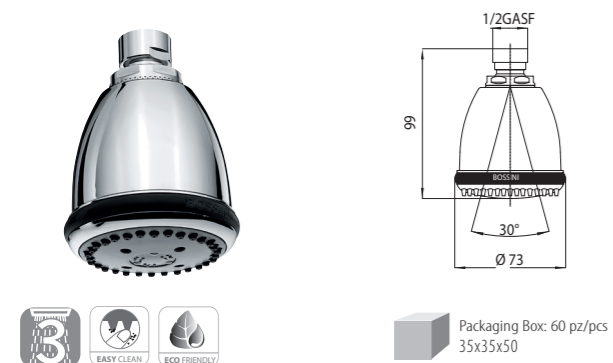
| Codice/Code   | Misura/Size | Finitura/Finish  | Portata acqua Water flow | Box Euro     |
|---------------|-------------|------------------|--------------------------|--------------|
| <b>I00092</b> | Ø 85 mm     | 030 cromo/chrome | min 5 L/min              | <b>36,60</b> |

**I00260 - BIG RAIN/2 Ø 117**  
 Ottone - Brass - Messing - Laiton - Latón - Латунь


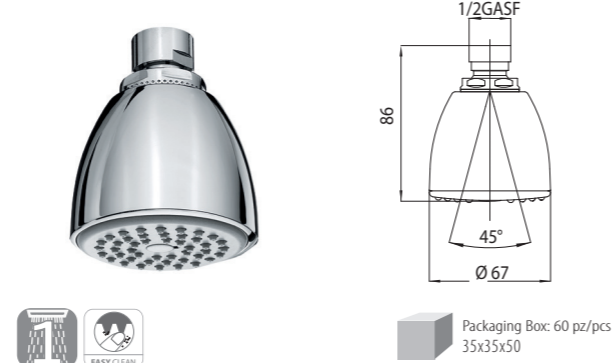
| Codice/Code   | Misura/Size | Finitura/Finish              | Portata acqua Water flow | Box Euro      |
|---------------|-------------|------------------------------|--------------------------|---------------|
| <b>I00260</b> | Ø 117 mm    | 030 cromo/chrome             | min 7,5 L/min            | <b>111,00</b> |
|               | Ø 117 mm    | 047 rame ant./ant.copper     |                          | <b>171,60</b> |
|               | Ø 117 mm    | 022 ottone ant./ant.brass    |                          | <b>171,60</b> |
|               | Ø 117 mm    | 094 nichel sp./satin nickel  |                          | <b>171,60</b> |
|               | Ø 117 mm    | 095 nichel lucido/pol.nickel |                          | <b>157,50</b> |

**I00074 - FRIZZA GOM Ø 51 - RISP. ACQUA**  
 ABS


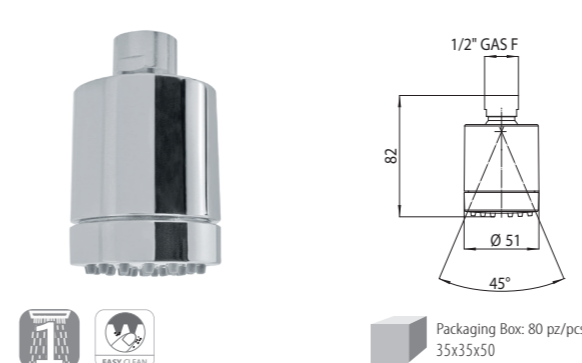
| Codice/Code   | Misura/Size | Finitura/Finish             | Portata acqua Water flow | Box Euro     |
|---------------|-------------|-----------------------------|--------------------------|--------------|
| <b>I00074</b> | Ø 51 mm     | 030 cromo/chrome            | min 5 L/min              | <b>13,90</b> |
|               | Ø 51 mm     | 013 bianco/white            |                          | <b>11,85</b> |
|               | Ø 51 mm     | 430 cromo dif. cromo/chrome |                          | <b>15,30</b> |

**I00330 - OVO KARINA Ø 73**  
 ABS


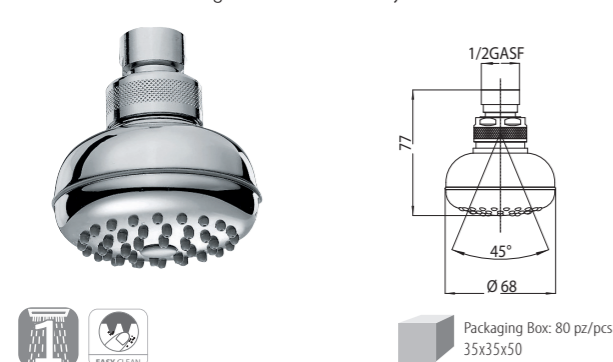
| Codice/Code   | Misura/Size | Finitura/Finish  | Portata acqua Water flow | Box Euro     |
|---------------|-------------|------------------|--------------------------|--------------|
| <b>I00330</b> | Ø 73 mm     | 030 cromo/chrome | min 5 L/min              | <b>24,65</b> |

**I00328 - OVO GOM/2 Ø 67**  
 ABS


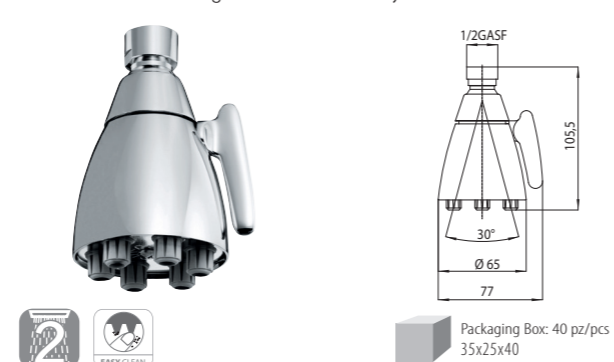
| Codice/Code   | Misura/Size | Finitura/Finish  | Portata acqua Water flow | Box Euro     |
|---------------|-------------|------------------|--------------------------|--------------|
| <b>I00328</b> | Ø 67 mm     | 030 cromo/chrome | min 5 L/min              | <b>21,40</b> |

**I00076 - FRIZZA GOM Ø 51**  
 ABS


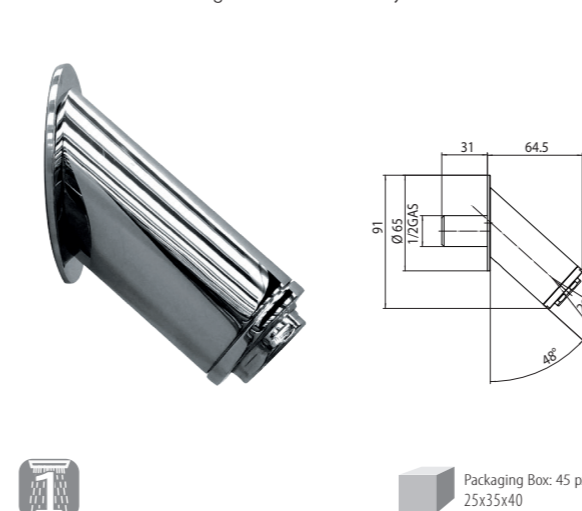
| Codice/Code   | Misura/Size | Finitura/Finish             | Portata acqua Water flow | Box Euro     |
|---------------|-------------|-----------------------------|--------------------------|--------------|
| <b>I00076</b> | Ø 51 mm     | 030 cromo/chrome            | min 5 L/min              | <b>13,90</b> |
|               | Ø 51 mm     | 013 bianco/white            |                          | <b>11,85</b> |
|               | Ø 51 mm     | 430 cromo dif. cromo/chrome |                          | <b>15,30</b> |

**I00070 - GOMMINA Ø 68**  
 Ottone - Brass - Messing - Laiton - Latón - Латунь


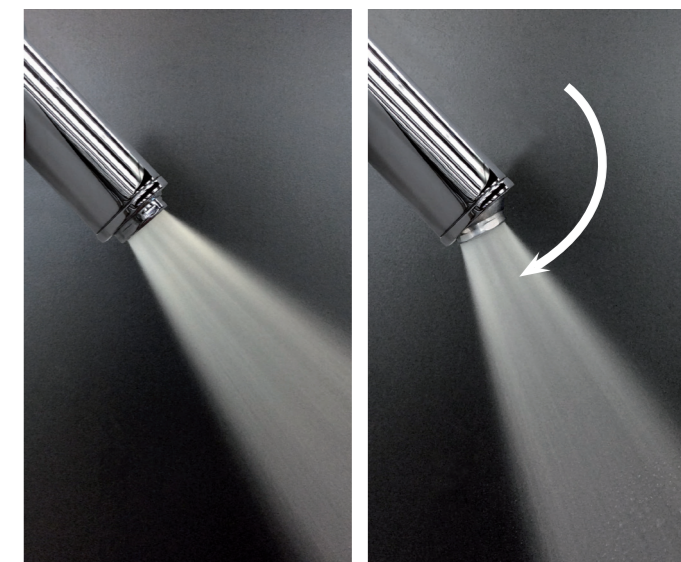
| Codice/Code   | Misura/Size | Finitura/Finish  | Portata acqua Water flow | Box Euro     |
|---------------|-------------|------------------|--------------------------|--------------|
| <b>I00070</b> | Ø 68 mm     | 030 cromo/chrome | min 5 L/min              | <b>23,10</b> |

**I00243 - RAIN/2 Ø 77**  
 Ottone - Brass - Messing - Laiton - Latón - Латунь


| Codice/Code   | Misura/Size | Finitura/Finish              | Portata acqua Water flow | Box Euro      |
|---------------|-------------|------------------------------|--------------------------|---------------|
| <b>I00243</b> | Ø 77 mm     | 030 cromo/chrome             | min 7,5 L/min            | <b>62,00</b>  |
|               | Ø 77 mm     | 047 rame ant./ant.copper     |                          | <b>103,00</b> |
|               | Ø 77 mm     | 022 ottone ant./ant.brass    |                          | <b>103,00</b> |
|               | Ø 77 mm     | 094 nichel sp./satin nickel  |                          | <b>103,00</b> |
|               | Ø 77 mm     | 095 nichel lucido/pol.nickel |                          | <b>84,60</b>  |

**HA1000 - ANTIVANDALISMO Ø 35**  
 Ottone - Brass - Messing - Laiton - Latón - Латунь


| Codice/Code   | Misura/Size    | Finitura/Finish  | Portata acqua Water flow | Box Euro     |
|---------------|----------------|------------------|--------------------------|--------------|
| <b>HA1000</b> | Ø 35 - 64,5 mm | 030 cromo/chrome | min 5 L/min              | <b>60,10</b> |



**I00089** - SOFFIONE Ø 120

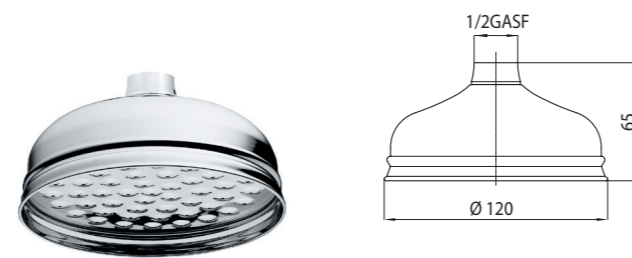
Ottone - Brass - Messing - Laiton - Latón - Латунь

Packaging Box: 45 pz/pcs  
35x35x50

| Codice/Code   | Misura/Size | Finitura/Finish  | Portata acqua<br>Water flow | Box Euro     |
|---------------|-------------|------------------|-----------------------------|--------------|
| <b>I00089</b> | Ø 120 mm    | 030 cromo/chrome | min 7,5 L/min               | <b>34,10</b> |

**I00065** - SOFFIONE Ø 120

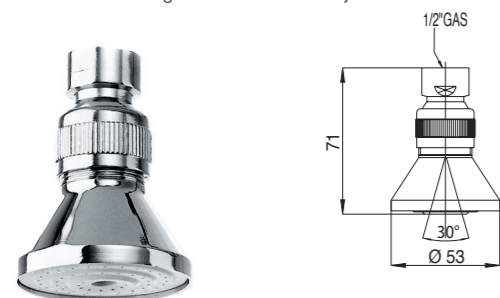
Ottone - Brass - Messing - Laiton - Latón - Латунь

Packaging Box: 45 pz/pcs  
35x35x50

| Codice/Code   | Misura/Size | Finitura/Finish  | Portata acqua<br>Water flow | Box Euro     |
|---------------|-------------|------------------|-----------------------------|--------------|
| <b>I00065</b> | Ø 120 mm    | 030 cromo/chrome | min 7,5 L/min               | <b>26,10</b> |

**I00060** - MERCURY Ø 53

Ottone - Brass - Messing - Laiton - Latón - Латунь

Packaging Box: 45 pz/pcs  
35x25x40

| Codice/Code   | Misura/Size | Finitura/Finish  | Portata acqua<br>Water flow | Box Euro     |
|---------------|-------------|------------------|-----------------------------|--------------|
| <b>I00060</b> | Ø 53 mm     | 030 cromo/chrome | min 5 L/min                 | <b>16,60</b> |

**I00062** - NORMALE Ø 81

Ottone - Brass - Messing - Laiton - Latón - Латунь

Packaging Box: 45 pz/pcs  
35x25x40

| Codice/Code   | Misura/Size | Finitura/Finish  | Portata acqua<br>Water flow | Box Euro     |
|---------------|-------------|------------------|-----------------------------|--------------|
| <b>I00062</b> | Ø 81 mm     | 030 cromo/chrome | min 5 L/min                 | <b>19,80</b> |

**Body Sprays - Wall**

Soffioni laterali a getto fisso o orientabile, autopulenti

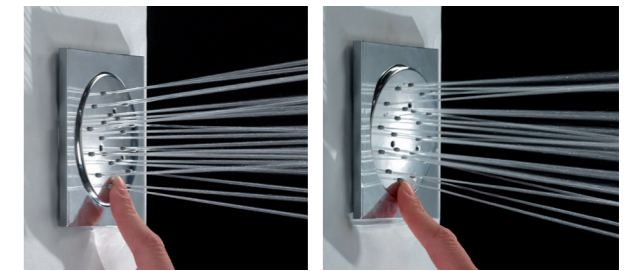
Fixed or orientable body spray showers - Easy-Clean system

Schwenkbare oder feste Seitenbrausen mit selbstreinigendem Regenstrahl

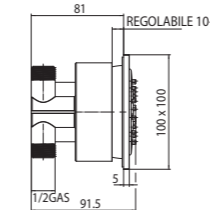
Body jets latéraux orientables ou fixes autonettoyantes.

Duchas laterales con rótula orientable o fija, autolimpiante

Настенные форсунки поворотные или фиксированные, самоочищающиеся

**I00198** - CUBIC REG 100 x 100 - ORIENTABLE

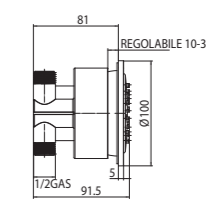
ABS - 1/2" M / a.G.

Packaging Box: 25 pz/pcs  
40x60x40

| Codice/Code   | Misura/Size  | Finitura/Finish  | Portata acqua<br>Water flow | Box Euro     |
|---------------|--------------|------------------|-----------------------------|--------------|
| <b>I00198</b> | 100 x 100 mm | 030 cromo/chrome | min 3 L/min                 | <b>57,90</b> |

**I00197** - TONDO REG Ø 100 - ORIENTABLE

ABS - 1/2" M / a.G.

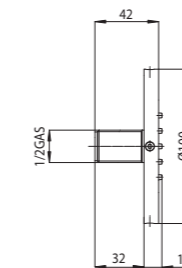
Packaging Box: 25 pz/pcs  
40x60x40

| Codice/Code   | Misura/Size | Finitura/Finish  | Portata acqua<br>Water flow | Box Euro     |
|---------------|-------------|------------------|-----------------------------|--------------|
| <b>I00197</b> | Ø 100 mm    | 030 cromo/chrome | min 3 L/min                 | <b>57,90</b> |

**I00175** - TONDO FLAT

Ottone - Brass - Messing - Laiton - Latón - Латунь

1/2" M / a.G.

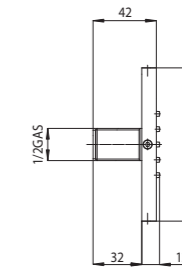
Packaging Box: 40 pz/pcs  
35x35x50

| Codice/Code   | Misura/Size | Finitura/Finish          | Portata acqua<br>Water flow | Box Euro     |
|---------------|-------------|--------------------------|-----------------------------|--------------|
| <b>I00175</b> | Ø 100 mm    | 030 cromo/chrome         | min 6 L/min                 | <b>62,50</b> |
|               |             | 073 nero opaco/mat black |                             | <b>81,20</b> |

**I00176** - CUBIC FLAT

Ottone - Brass - Messing - Laiton - Latón - Латунь

1/2" M / a.G.

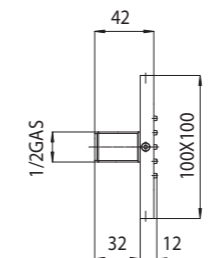
Packaging Box: 40 pz/pcs  
35x35x50

| Codice/Code   | Misura/Size  | Finitura/Finish          | Portata acqua<br>Water flow | Box Euro     |
|---------------|--------------|--------------------------|-----------------------------|--------------|
| <b>I00176</b> | 100 x 100 mm | 030 cromo/chrome         | min 6 L/min                 | <b>62,50</b> |
|               |              | 073 nero opaco/mat black |                             | <b>81,20</b> |

**I00210** - CUBIC ROUND FLAT

Ottone - Brass - Messing - Laiton - Latón - Латунь

1/2" M / a.G.

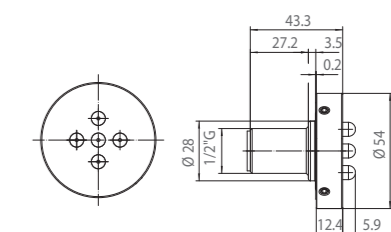
Packaging Box: 40 pz/pcs  
35x35x50

| Codice/Code   | Misura/Size  | Finitura/Finish                                | Portata acqua<br>Water flow | Box Euro      |
|---------------|--------------|--|-----------------------------|---------------|
| <b>I00210</b> | 100 x 100 mm | 030 cromo/chrome                               | min 6 L/min                 | <b>77,60</b>  |
|               | 100 x 100 mm | 094 Nichel Spazzolato/Brushed Nickel           |                             | <b>126,10</b> |
|               | 100 x 100 mm | 070 Nichel spazz. opaco / Brushed Satin Nickel |                             | <b>126,10</b> |

**I00214** - NEBULIZAIR Ø 54

Ottone - Brass - Messing - Laiton - Latón - Латунь

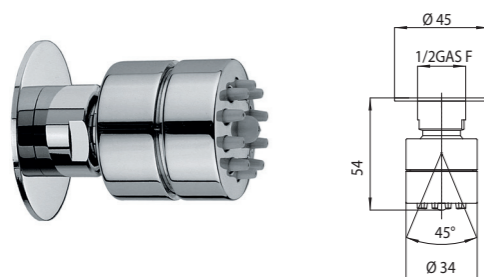
1/2" M / a.G.

Packaging Box: 80 pz/pcs  
35x35x50

| Codice/Code   | Misura/Size | Finitura/Finish  | Portata acqua<br>Water flow | Box Euro     |
|---------------|-------------|------------------|-----------------------------|--------------|
| <b>I00214</b> | Ø 54 mm     | 030 cromo/chrome | min 5 L/min                 | <b>45,50</b> |

**100137 - I01137 - TONDO GOM Ø 34**

Ottone - Brass - Messing - Laiton - Latón - Латунь


 Packaging Box: 100 pz/pcs  
35x25x40

| Codice/Code   | Misura/Size | Finitura/Finish             | Portata acqua<br>Water flow | Box Euro     |
|---------------|-------------|-----------------------------|-----------------------------|--------------|
| <b>100137</b> | 1/2" F GAS  | 030 cromo/chrome            | min 2,5 L/min               | <b>20,65</b> |
|               | 1/2" F GAS  | 094 nichel sp./satin nickel |                             | <b>42,30</b> |
| <b>I01137</b> | 1/2" F NPT  | 030 cromo/chrome            | min 2,5 L/min               | <b>20,65</b> |
|               | 1/2" F NPT  | 094 nichel sp./satin nickel |                             | <b>42,30</b> |

**100147- I01147 - TONDO MAS Ø 34**

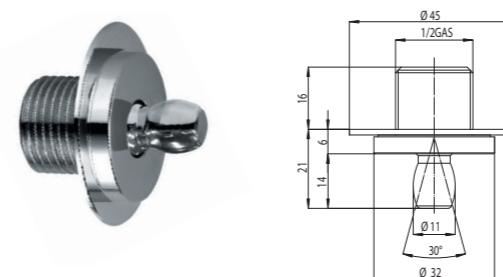
Ottone - Brass - Messing - Laiton - Latón - Латунь


 Packaging Box: 100 pz/pcs  
35x25x40

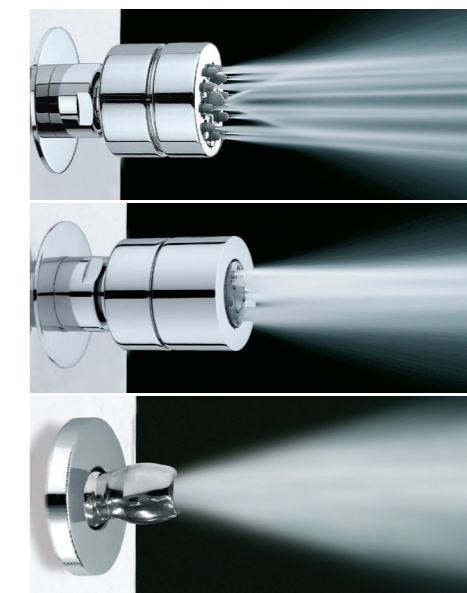
| Codice/Code   | Misura/Size | Finitura/Finish             | Portata acqua<br>Water flow | Box Euro     |
|---------------|-------------|-----------------------------|-----------------------------|--------------|
| <b>100147</b> | 1/2" F GAS  | 030 cromo/chrome            | min 2,5 L/min               | <b>22,30</b> |
|               | 1/2" F GAS  | 094 nichel sp./satin nickel |                             | <b>43,80</b> |
| <b>I01147</b> | 1/2" F NPT  | 030 cromo/chrome            | min 2,5 L/min               | <b>22,30</b> |
|               | 1/2" F NPT  | 094 nichel sp./satin nickel |                             | <b>43,80</b> |

**100151 - MINI NEB - WALL**

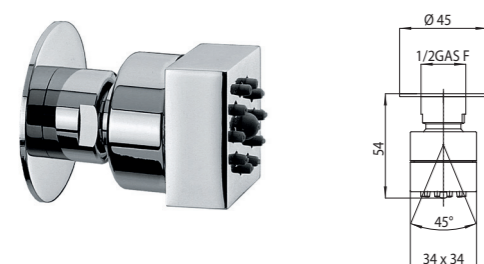
Ottone - Brass - Messing - Laiton - Latón - Латунь


 Packaging Box: 100 pz/pcs  
35x25x40

| Codice/Code   | Misura/Size | Finitura/Finish  | Portata acqua<br>Water flow | Box Euro     |
|---------------|-------------|------------------|-----------------------------|--------------|
| <b>100151</b> | 1/2" M GAS  | 030 cromo/chrome | min 1,5 L/min               | <b>11,55</b> |


**100135 - I01135 - CUBIC GOM 34 x 34**

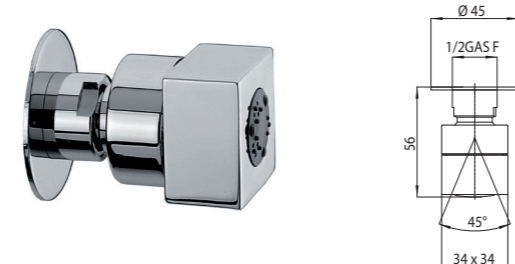
Ottone - Brass - Messing - Laiton - Latón - Латунь


 Packaging Box: 100 pz/pcs  
35x25x40

| Codice/Code   | Misura/Size | Finitura/Finish             | Portata acqua<br>Water flow | Box Euro     |
|---------------|-------------|-----------------------------|-----------------------------|--------------|
| <b>100135</b> | 1/2" F GAS  | 030 cromo/chrome            | min 2,5 L/min               | <b>26,00</b> |
|               | 1/2" F GAS  | 094 nichel sp./satin nickel |                             | <b>47,00</b> |
| <b>I01135</b> | 1/2" F NPT  | 030 cromo/chrome            | min 2,5 L/min               | <b>26,00</b> |
|               | 1/2" F NPT  | 094 nichel sp./satin nickel |                             | <b>47,00</b> |

**100141 - I01141 - CUBIC MAS 34 x 34**

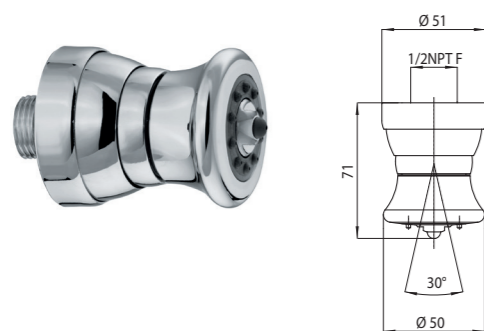
Ottone - Brass - Messing - Laiton - Latón - Латунь


 Packaging Box: 100 pz/pcs  
35x25x40

| Codice/Code   | Misura/Size | Finitura/Finish             | Portata acqua<br>Water flow | Box Euro     |
|---------------|-------------|-----------------------------|-----------------------------|--------------|
| <b>100141</b> | 1/2" F GAS  | 030 cromo/chrome            | min 2,5 L/min               | <b>27,60</b> |
|               | 1/2" F GAS  | 094 nichel sp./satin nickel |                             | <b>49,90</b> |
| <b>I01141</b> | 1/2" F NPT  | 030 cromo/chrome            | min 2,5 L/min               | <b>27,60</b> |
|               | 1/2" F NPT  | 094 nichel sp./satin nickel |                             | <b>49,90</b> |

**100125 - I00124 - TWINJET/10 Ø 50**

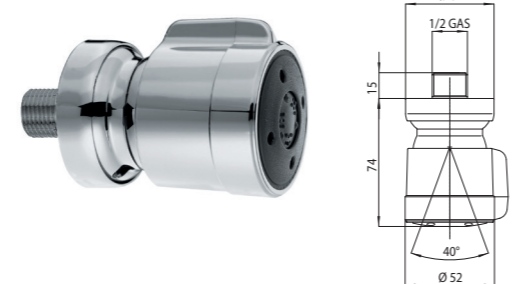
ABS


 Packaging Box: 100 pz/pcs  
35x35x50

| Codice/Code   | Misura/Size | Finitura/Finish  | Portata acqua<br>Water flow | Box Euro     |
|---------------|-------------|------------------|-----------------------------|--------------|
| <b>100125</b> | 1/2" M GAS  | 030 cromo/chrome | min 2,5 L/min               | <b>27,50</b> |
| <b>I00124</b> | 1/2" F NPT  | 030 cromo/chrome | min 2,5 L/min               | <b>27,50</b> |

**100102-104-105 - DUO BODY SPRAY Ø 52**

ABS


 Packaging Box: 100 pz/pcs  
35x35x50

| Codice/Code   | Misura/Size | Finitura/Finish  | Portata acqua<br>Water flow | Box Euro     |
|---------------|-------------|------------------|-----------------------------|--------------|
| <b>100102</b> | 1/2" M GAS  | 030 cromo/chrome | min 2,5 L/min               | <b>27,70</b> |
| <b>100104</b> | 1/2" F GAS  | 030 cromo/chrome | min 2,5 L/min               | <b>27,70</b> |
| <b>100105</b> | 1/2" F NPT  | 030 cromo/chrome | min 2,5 L/min               | <b>27,70</b> |

## Body Sprays - Panels

Soffioni laterali a getto fisso o orientabile, autopulenti

Fixed or orientable body spray showers - Easy-Clean system

Schwenkbare oder feste Seitenbrausen mit selbstreinigendem Regenstrahl

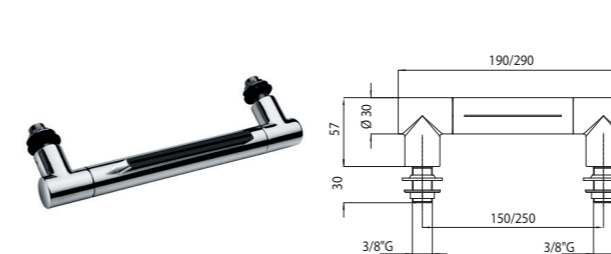
Body jets latéraux orientables ou fixes autonettoyantes.

Duchas laterales con rótula orientable o fija, chorro lluvia autolimpiante

Настенные форсунки поворотные или фиксированные, самоочищающиеся

**100270 - CASCATA - BOX**

Ottone - Brass - Messing - Laiton - Latón - Латунь


 Packaging Box: 10 pz/pcs  
25x25x40

| Codice/Code    | Misura/Size | Finitura/Finish  | Portata acqua<br>Water flow | Box Euro      |
|----------------|-------------|------------------|-----------------------------|---------------|
| <b>100270C</b> | 150 mm      | 030 cromo/chrome | min 10 L/min                | <b>106,50</b> |
| <b>100270F</b> | 250 mm      | 030 cromo/chrome | min 13 L/min                | <b>116,30</b> |

**100211 - CUBIC ROUND FLAT - BOX**

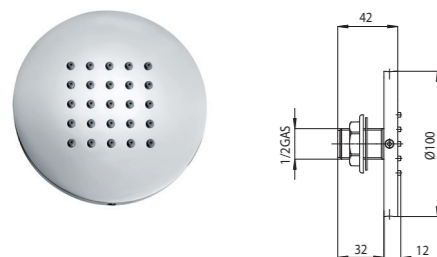
Ottone - Brass - Messing - Laiton - Latón - Латунь


 Packaging Box: 40 pz/pcs  
35x35x50

| Codice/Code   | Misura/Size  | Finitura/Finish                                | Portata acqua<br>Water flow | Box Euro      |
|---------------|--------------|--|-----------------------------|---------------|
| <b>100211</b> | 100 x 100 mm | 030 cromo/chrome                               | min 6 L/min                 | <b>81,10</b>  |
|               | 100 x 100 mm | 094 Nichel Spazzolato/Brushed Nickel           |                             | <b>129,40</b> |
|               | 100 x 100 mm | 070 Nichel spazz. opaco / Brushed Satin Nickel |                             | <b>129,40</b> |

**I00177 - TONDO FLAT Ø 100 - BOX**

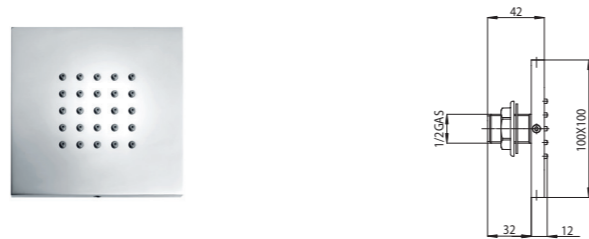
Ottone - Brass - Messing - Laiton - Latón - Латунь



| Codice/Code   | Misura/Size           | Finitura/Finish  | Portata acqua Water flow | Box Euro     |
|---------------|-----------------------|------------------|--------------------------|--------------|
| <b>I00177</b> | Ø 100 mm - 1/2" M GAS | 030 cromo/chrome | min 6 L/min              | <b>66,00</b> |

**I00178 - CUBIC FLAT - BOX**

Ottone - Brass - Messing - Laiton - Latón - Латунь



| Codice/Code   | Misura/Size               | Finitura/Finish  | Portata acqua Water flow | Box Euro     |
|---------------|---------------------------|------------------|--------------------------|--------------|
| <b>I00178</b> | 100 x 100 mm - 1/2" M GAS | 030 cromo/chrome | min 6 L/min              | <b>66,00</b> |

**I00138 - TONDO GOM - BOX**

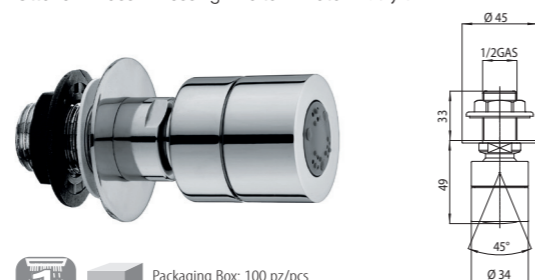
Ottone - Brass - Messing - Laiton - Latón - Латунь



| Codice/Code   | Misura/Size          | Finitura/Finish  | Portata acqua Water flow | Box Euro     |
|---------------|----------------------|------------------|--------------------------|--------------|
| <b>I00138</b> | Ø 34 mm - 1/2" M GAS | 030 cromo/chrome | min 2,5 L/min            | <b>25,20</b> |

**I00148 - TONDO MAS - BOX**

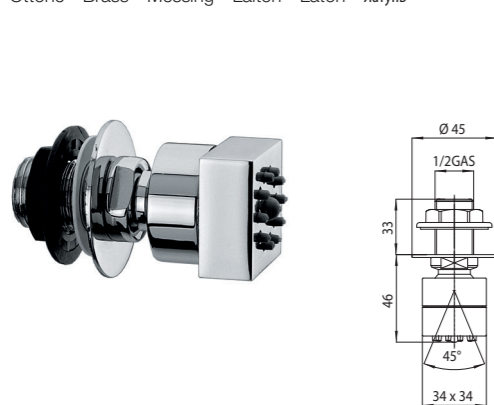
Ottone - Brass - Messing - Laiton - Latón - Латунь



| Codice/Code   | Misura/Size          | Finitura/Finish  | Portata acqua Water flow | Box Euro     |
|---------------|----------------------|------------------|--------------------------|--------------|
| <b>I00148</b> | Ø 34 mm - 1/2" M GAS | 030 cromo/chrome | min 2,5 L/min            | <b>26,75</b> |

**I00136 - CUBIC GOM - BOX**

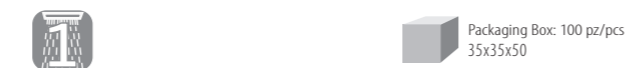
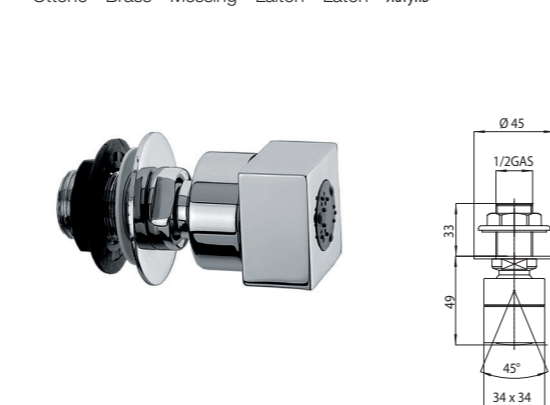
Ottone - Brass - Messing - Laiton - Latón - Латунь



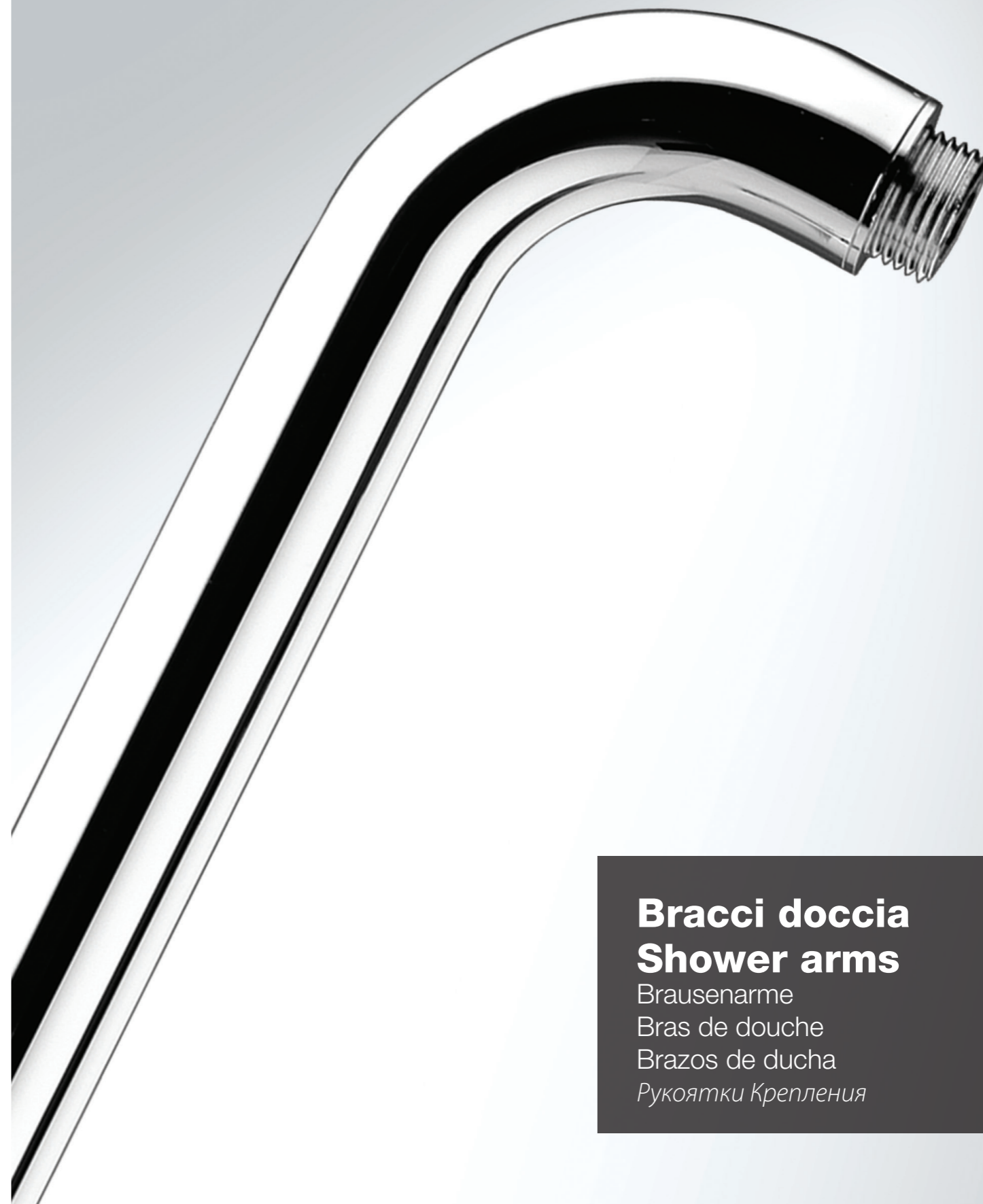
| Codice/Code   | Misura/Size             | Finitura/Finish  | Portata acqua Water flow | Box Euro     |
|---------------|-------------------------|------------------|--------------------------|--------------|
| <b>I00136</b> | 34 x 34 mm - 1/2" M GAS | 030 cromo/chrome | min 2,5 L/min            | <b>30,40</b> |

**I00142 - CUBIC MAS - BOX**

Ottone - Brass - Messing - Laiton - Latón - Латунь



| Codice/Code   | Misura/Size             | Finitura/Finish  | Portata acqua Water flow | Box Euro     |
|---------------|-------------------------|------------------|--------------------------|--------------|
| <b>I00142</b> | 34 x 34 mm - 1/2" M GAS | 030 cromo/chrome | min 2,5 L/min            | <b>32,00</b> |

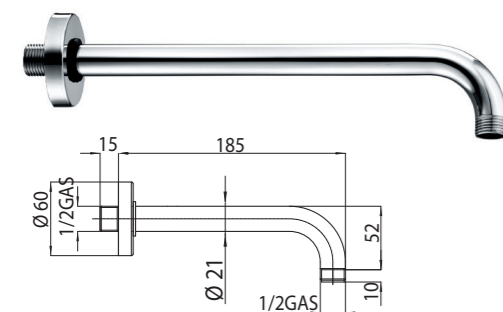


## Bracci doccia Shower arms

Brausenarme  
Bras de douche  
Brazos de ducha  
Рукоятки Крепления

**H19000 - H25000**

Ottone - Brass - Messing - Laiton - Latón - Латунь

H19000 1/2" M GAS x 1/2" M GAS  
H25000 1/2" M GAS x 1/2" M NPT

| Codice/Code     | Misura/Size                   | Finitura/Finish             | Box Euro     |
|-----------------|-------------------------------|-----------------------------|--------------|
| <b>H19-H25D</b> | Ø 21 mm - 200 mm - 1/2"MM     | 030 cromo/chrome            | <b>21,10</b> |
| <b>H19-H25F</b> | Ø 21 mm - 250 mm - 1/2"MM     | 030 cromo/chrome            | <b>23,40</b> |
| <b>H19-H25G</b> | Ø 21 mm - 300 mm - 1/2"MM     | 030 cromo/chrome            | <b>25,80</b> |
| <b>H19-H25H</b> | Ø 21 mm - 350 mm - 1/2"MM     | 030 cromo/chrome            | <b>30,80</b> |
| <b>H19-H25I</b> | Ø 21 mm - 400 mm - 1/2"MM     | 030 cromo/chrome            | <b>34,00</b> |
| <b>H19-H25J</b> | Ø 21 mm - 500 mm - 1/2"MM     | 030 cromo/chrome            | <b>38,30</b> |
| <b>H19-H25G</b> | Ø 21 mm - 300 mm - 1/2"MM (*) | 094 nichel sp./satin nickel | <b>45,30</b> |
| <b>H19-H25H</b> | Ø 21 mm - 350 mm - 1/2"MM (*) | 094 nichel sp./satin nickel | <b>54,40</b> |
| <b>H19-H25I</b> | Ø 21 mm - 400 mm - 1/2"MM (*) | 094 nichel sp./satin nickel | <b>54,80</b> |
| <b>H19-H25J</b> | Ø 21 mm - 500 mm - 1/2"MM (*) | 094 nichel sp./satin nickel | <b>61,40</b> |
| <b>H19-H25G</b> | Ø 21 mm - 300 mm - 1/2"MM     | 073 nero opaco/mat black    | <b>39,20</b> |

(\*) Finiture: 047 rame antico, 022 ottone antico: stessi prezzi finitura 094

(\*) Finishing: 047 antique copper 022 antique brass: same price as finishing 094

(\*) Oberfläche 047 Alte Kupfer, 022 Bronze: gleichen Preis wie 094 Oberfläche

(\*) Finitions: 047 vieux cuivre, 022 vieux laiton: même prix que finition 094

(\*) Acabados: 047 cobre, 022 bronce: mismo precio del acabado 094

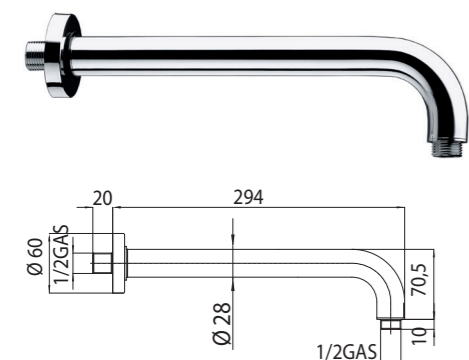
(\*) Цвета: 047 медь ант., 022 латунь ант. соответствуют по цене цвету 094

Packaging Std: 45 pz/pcs  
35x35x50  
Arm: 200/250/300 mm

Packaging Std: 40 pz/pcs  
40x40x60  
Arm: 350/400/500 mm

**H71000**

Ottone - Brass - Messing - Laiton - Latón - Латунь



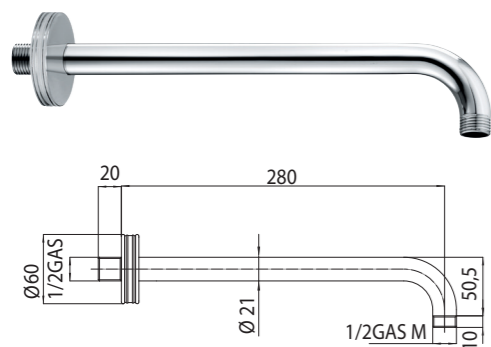
| Codice/Code    | Misura/Size               | Finitura/Finish             | Box Euro      |
|----------------|---------------------------|-----------------------------|---------------|
| <b>H71000G</b> | Ø 28 mm - 300 mm - 1/2"MM | 030 cromo/chrome            | <b>53,90</b>  |
| <b>H71000H</b> | Ø 28 mm - 350 mm - 1/2"MM | 030 cromo/chrome            | <b>56,80</b>  |
| <b>H71000I</b> | Ø 28 mm - 400 mm - 1/2"MM | 030 cromo/chrome            | <b>68,90</b>  |
| <b>H71000J</b> | Ø 28 mm - 500 mm - 1/2"MM | 030 cromo/chrome            | <b>76,60</b>  |
| <b>H71000G</b> | Ø 28 mm - 300 mm - 1/2"MM | 094 nichel sp./satin nickel | <b>78,70</b>  |
| <b>H71000H</b> | Ø 28 mm - 350 mm - 1/2"MM | 094 nichel sp./satin nickel | <b>84,70</b>  |
| <b>H71000I</b> | Ø 28 mm - 400 mm - 1/2"MM | 094 nichel sp./satin nickel | <b>93,80</b>  |
| <b>H71000J</b> | Ø 28 mm - 500 mm - 1/2"MM | 094 nichel sp./satin nickel | <b>104,20</b> |

Packaging Std: 45 pz/pcs  
35x35x50  
Arm: 300 mm

Packaging Std: 40 pz/pcs  
40x40x60  
Arm: 350/400/500 mm

**H27000 LIBERTY**

Ottone - Brass - Messing - Laiton - Latón - Латунь



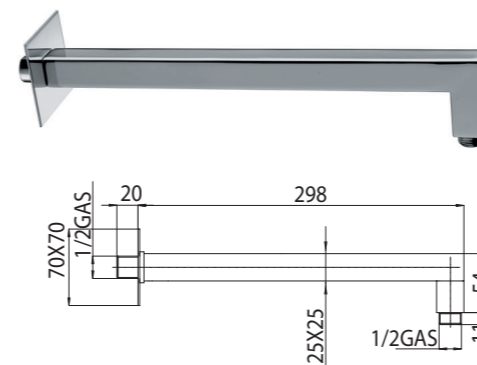
| Codice/Code    | Misura/Size               | Finitura/Finish                 | Box Euro     |
|----------------|---------------------------|---------------------------------|--------------|
| <b>H27000G</b> | Ø 21 mm - 300 mm - 1/2"MM | 030 cromo/chrome                | <b>41,10</b> |
|                | Ø 21 mm - 300 mm - 1/2"MM | 094 nichel sp./satin nickel     | <b>74,70</b> |
|                | Ø 21 mm - 300 mm - 1/2"MM | 022 ottone antico/antique brass | <b>74,70</b> |
|                | Ø 21 mm - 300 mm - 1/2"MM | 021 oro/gold                    | <b>82,20</b> |

Packaging Box: 45 pz/pcs  
35x35x50

Packaging Std: 40 pz/pcs  
40x40x60  
Arm: 350/400/500 mm

**H60000**

Ottone - Brass - Messing - Laiton - Latón - Латунь



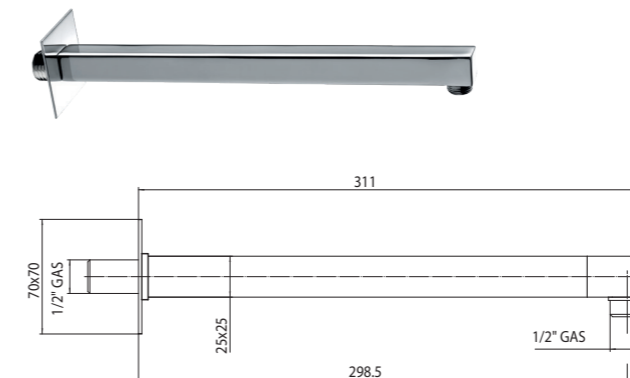
| Codice/Code    | Misura/Size                  | Finitura/Finish             | Box Euro      |
|----------------|------------------------------|-----------------------------|---------------|
| <b>H60000G</b> | 25 x 25 mm - 300 mm - 1/2"MM | 030 cromo/chrome            | <b>117,70</b> |
| <b>H60000H</b> | 25 x 25 mm - 350 mm - 1/2"MM | 030 cromo/chrome            | <b>128,00</b> |
| <b>H60000I</b> | 25 x 25 mm - 400 mm - 1/2"MM | 030 cromo/chrome            | <b>132,60</b> |
| <b>H60000G</b> | 25 x 25 mm - 300 mm - 1/2"MM | 094 nichel sp./satin nickel | <b>192,70</b> |
| <b>H60000H</b> | 25 x 25 mm - 350 mm - 1/2"MM | 094 nichel sp./satin nickel | <b>209,00</b> |
| <b>H60000I</b> | 25 x 25 mm - 400 mm - 1/2"MM | 094 nichel sp./satin nickel | <b>214,50</b> |

Packaging Box: 20 pz/pcs  
35x25x40  
Arm: 300 mm

Packaging Box: 20 pz/pcs  
35x35x50  
Arm: 350/400 mm

**H69000**

Ottone - Brass - Messing - Laiton - Latón - Латунь



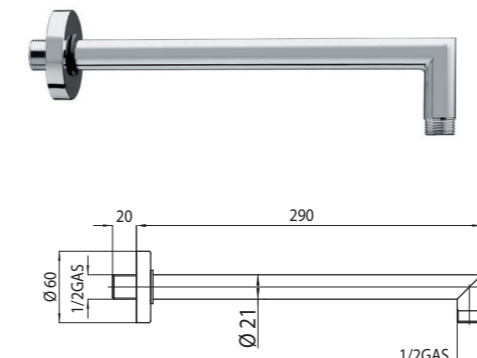
| Codice/Code    | Misura/Size                  | Finitura/Finish             | Box Euro      |
|----------------|------------------------------|-----------------------------|---------------|
| <b>H69000G</b> | 25 x 25 mm - 300 mm - 1/2"MM | 030 cromo/chrome            | <b>86,90</b>  |
| <b>H69000H</b> | 25 x 25 mm - 350 mm - 1/2"MM | 030 cromo/chrome            | <b>97,40</b>  |
|                |                              | 073 nero opaco/mat black    | <b>136,10</b> |
|                |                              | 094 nichel sp./satin nickel | <b>162,30</b> |
| <b>H69000I</b> | 25 x 25 mm - 400 mm - 1/2"MM | 030 cromo/chrome            | <b>102,00</b> |
|                |                              | 073 nero opaco/mat black    | <b>138,40</b> |

Packaging Box: 20 pz/pcs  
35x25x40  
Arm: 300 mm

Packaging Box: 20 pz/pcs  
35x35x50  
Arm: 350/400 mm

**H70000**

Ottone - Brass - Messing - Laiton - Latón - Латунь



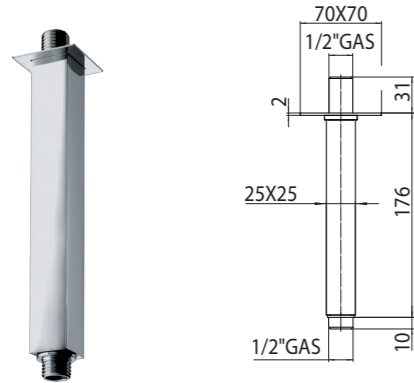
| Codice/Code    | Misura/Size               | Finitura/Finish             | Box Euro     |
|----------------|---------------------------|-----------------------------|--------------|
| <b>H70000G</b> | Ø 21 mm - 300 mm - 1/2"MM | 030 cromo/chrome            | <b>36,50</b> |
| <b>H70000H</b> | Ø 21 mm - 350 mm - 1/2"MM | 030 cromo/chrome            | <b>40,80</b> |
| <b>H70000I</b> | Ø 21 mm - 400 mm - 1/2"MM | 030 cromo/chrome            | <b>45,00</b> |
| <b>H70000J</b> | Ø 21 mm - 500 mm - 1/2"MM | 030 cromo/chrome            | <b>50,80</b> |
| <b>H70000G</b> | Ø 21 mm - 300 mm - 1/2"MM | 094 nichel sp./satin nickel | <b>58,40</b> |
| <b>H70000H</b> | Ø 21 mm - 350 mm - 1/2"MM | 094 nichel sp./satin nickel | <b>66,00</b> |
| <b>H70000I</b> | Ø 21 mm - 400 mm - 1/2"MM | 094 nichel sp./satin nickel | <b>73,10</b> |
| <b>H70000J</b> | Ø 21 mm - 500 mm - 1/2"MM | 094 nichel sp./satin nickel | <b>80,10</b> |
| <b>H70000H</b> | Ø 21 mm - 350 mm - 1/2"MM | 073 nero opaco/mat black    | <b>53,40</b> |
| <b>H70000I</b> | Ø 21 mm - 400 mm - 1/2"MM | 073 nero opaco/mat black    | <b>58,40</b> |

Packaging Std: 45 pz/pcs  
35x35x50  
Arm: 300 mm

Packaging Std: 40 pz/pcs  
40x40x60  
Arm: 350/400/500 mm

### H61000

Ottone - Brass - Messing - Laiton - Latón - Латунь

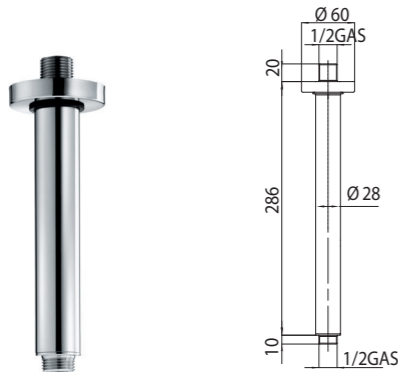


Packaging Box: 20 pz/pcs  
35x25x40

| Codice/Code    | Misura/Size                  | Finitura/Finish             | Box Euro      |
|----------------|------------------------------|-----------------------------|---------------|
| <b>H61000D</b> | 25 x 25 mm - 200 mm - 1/2"MM | 030 cromo/chrome            | <b>68,90</b>  |
| <b>H61000G</b> | 25 x 25 mm - 300 mm - 1/2"MM | 030 cromo/chrome            | <b>95,80</b>  |
| <b>H61000D</b> | 25 x 25 mm - 200 mm - 1/2"MM | 094 nichel sp./satin nickel | <b>109,90</b> |
| <b>H61000G</b> | 25 x 25 mm - 300 mm - 1/2"MM | 094 nichel sp./satin nickel | <b>157,10</b> |

### H30000

Ottone - Brass - Messing - Laiton - Latón - Латунь



Packaging Std: 45 pz/pcs  
35x35x50  
Arm: 200/300 mm

Packaging Std: 40 pz/pcs  
40x40x60  
Arm: 400 mm

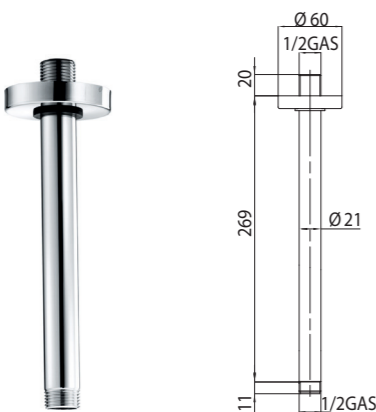
| Codice/Code    | Misura/Size               | Finitura/Finish          | Box Euro     |
|----------------|---------------------------|--------------------------|--------------|
| <b>H30000D</b> | Ø 28 mm - 200 mm - 1/2"MM | 030 cromo/chrome         | <b>35,40</b> |
| <b>H30000G</b> | Ø 28 mm - 300 mm - 1/2"MM | 030 cromo/chrome         | <b>41,10</b> |
|                |                           | 073 nero opaco/mat black | <b>54,00</b> |
| <b>H30000I</b> | Ø 28 mm - 400 mm - 1/2"MM | 030 cromo/chrome         | <b>46,90</b> |

\*CON FLANGIA / WITH FLANGE

| Codice/Code    | Misura/Size                   | Finitura/Finish  | Box Euro      |
|----------------|-------------------------------|------------------|---------------|
| <b>H30000J</b> | Ø 28 mm - 500 mm - 1/2"MM (*) | 030 cromo/chrome | <b>92,10</b>  |
| <b>H30000L</b> | Ø 28 mm - 600 mm - 1/2"MM (*) | 030 cromo/chrome | <b>97,90</b>  |
| <b>H30000O</b> | Ø 28 mm - 700 mm - 1/2"MM (*) | 030 cromo/chrome | <b>103,70</b> |
| <b>H30000P</b> | Ø 28 mm - 800 mm - 1/2"MM (*) | 030 cromo/chrome | <b>111,80</b> |
| <b>H30000Q</b> | Ø 28 mm - 900 mm - 1/2"MM (*) | 030 cromo/chrome | <b>118,80</b> |

### H31000

Ottone - Brass - Messing - Laiton - Latón - Латунь



Packaging Std: 45 pz/pcs  
35x35x50  
Arm: 200/300 mm

Packaging Std: 40 pz/pcs  
40x40x60  
Arm: 400 mm

| Codice/Code    | Misura/Size               | Finitura/Finish  | Box Euro     |
|----------------|---------------------------|------------------|--------------|
| <b>H31000D</b> | Ø 21 mm - 200 mm - 1/2"MM | 030 cromo/chrome | <b>18,10</b> |
| <b>H31000G</b> | Ø 21 mm - 300 mm - 1/2"MM | 030 cromo/chrome | <b>23,10</b> |
| <b>H31000I</b> | Ø 21 mm - 400 mm - 1/2"MM | 030 cromo/chrome | <b>28,00</b> |

### H41000

Ottone - Brass - Messing - Laiton - Latón - Латунь

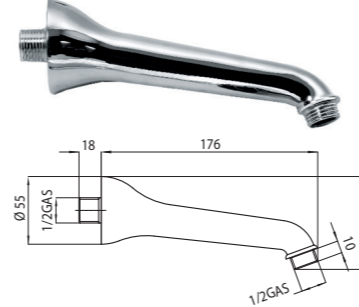


Packaging Box: 45 pz/pcs  
35x35x50

| Codice/Code    | Misura/Size     | Finitura/Finish  | Box Euro     |
|----------------|-----------------|------------------|--------------|
| <b>H41000A</b> | 120 mm - 1/2"MM | 030 cromo/chrome | <b>43,60</b> |

### H10000

Ottone - Brass - Messing - Laiton - Latón - Латунь

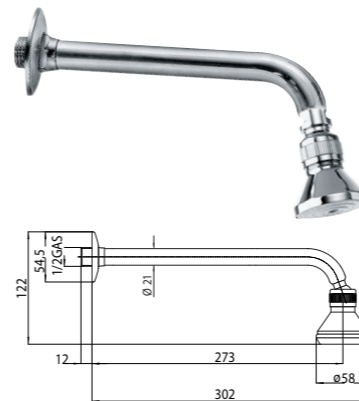


Packaging Box: 30 pz/pcs  
35x25x40

| Codice/Code    | Misura/Size     | Finitura/Finish  | Box Euro     |
|----------------|-----------------|------------------|--------------|
| <b>H10000D</b> | 200 mm - 1/2"MM | 030 cromo/chrome | <b>36,50</b> |

### H22002 MERCURY

Ottone - Brass - Messing - Laiton - Latón - Латунь

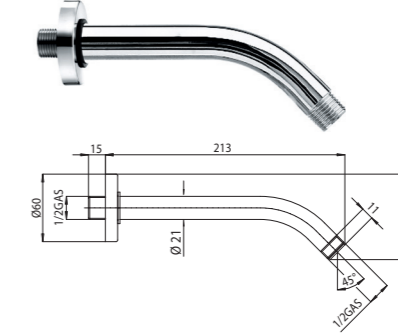


Packaging Std: 70 pz/pcs  
40x40x60

| Codice/Code    | Misura/Size               | Finitura/Finish  | Box Euro     |
|----------------|---------------------------|------------------|--------------|
| <b>H22002D</b> | Ø 21 mm - 200 mm - 1/2"MM | 030 cromo/chrome | <b>27,10</b> |
| <b>H22002G</b> | Ø 21 mm - 300 mm - 1/2"MM | 030 cromo/chrome | <b>29,80</b> |

### H26000

Ottone - Brass - Messing - Laiton - Latón - Латунь



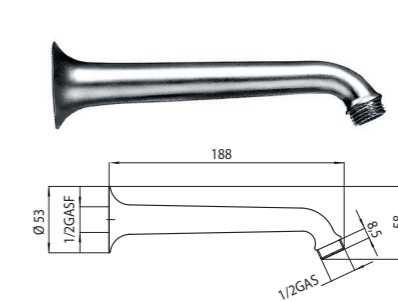
Packaging Std: 45 pz/pcs  
35x35x50

Packaging Std: 50 pz/pcs  
35x20x40

| Codice/Code    | Misura/Size               | Finitura/Finish  | Box Euro     |
|----------------|---------------------------|------------------|--------------|
| <b>H26000A</b> | Ø 21 mm - 120 mm - 1/2"MM | 030 cromo/chrome | <b>14,10</b> |
| <b>H26000E</b> | Ø 21 mm - 220 mm - 1/2"MM | 030 cromo/chrome | <b>18,30</b> |

### H15000

Ottone - Brass - Messing - Laiton - Latón - Латунь

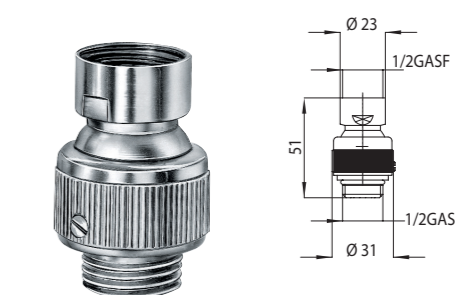


Packaging Std: 60 pz/pcs  
35x25x40

| Codice/Code    | Misura/Size     | Finitura/Finish  | Box Euro     |
|----------------|-----------------|------------------|--------------|
| <b>H15000D</b> | 200 mm - 1/2"MM | 030 cromo/chrome | <b>21,40</b> |

### V00160

Snodo ottone per soffione 1/2"MF  
1/2"MF Brass swivel ball for shower head



Packaging Box: 250 pz/pcs  
35x25x40

| Codice/Code   | Finitura/Finish  | Box Euro    |
|---------------|------------------|-------------|
| <b>V00160</b> | 030 cromo/chrome | <b>7,95</b> |